
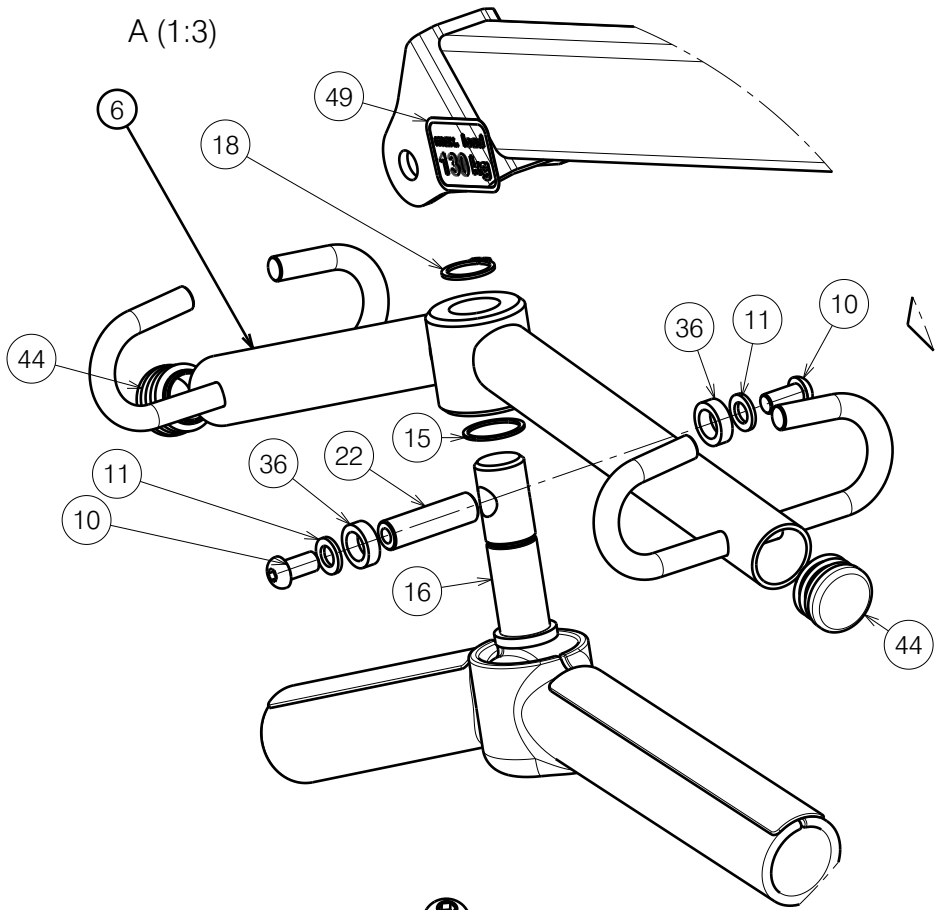


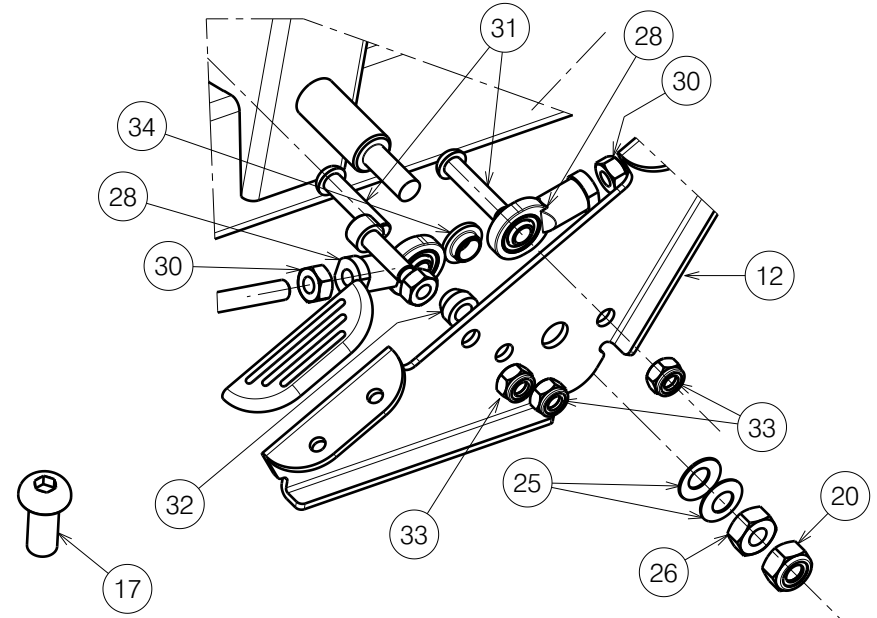
Sheet 1/4 8003207

PATIENT HOIST FALCON				Plan No.
				E00042257/G1.1
Scale: 1:12	Drafted	Verified	Confirmed	
Date	10/08/2022	21/08/2024	21/08/2024	
Initials	MK	DVB	AZ	

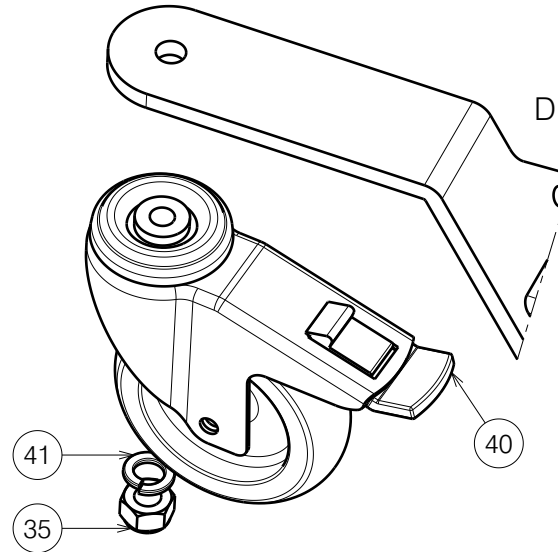
A (1:3)



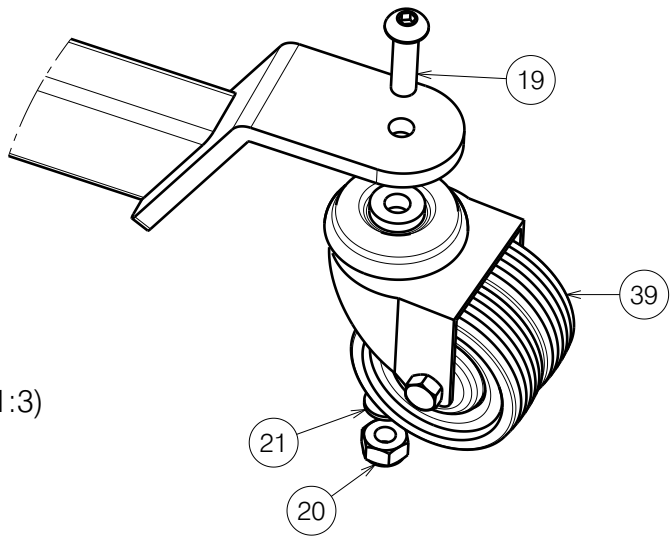
B (1:3)



D (1:3)



C (1:3)



Sheet 2/4

8003207

Plan No.

E00042257/G1.1


PATIENT HOIST FALCON

Scale:	1:3	Drafted	Verified	Confirmed
Date	10/08/2022	21/08/2024	21/08/2024	21/08/2024
Initials	MK	DVB	AZ	



No.	Plan	Article	Qty				
1	P00036542	2657819	1	25	Saucer spring	12296	2
2	P00038162	2657719	1	26	Nut M10 DIN934	1001672	1
3	P00041195	2658119	1	27	X004408	1711500	2
4	P00041503	2658219	1	28	Knee joint M8	1006835	4
5	P00041510	2658319	1	29	M8x40	1008739	2
6	P00038178	2658419	1	30	Nut M8 DIN934	1001671	4
7	P00041119	1918901	1	31	1993236	1993236	2
8	P00040355	GP28200	1	32	P00074772	2098400	4
9	M10x16	1903370	2	33	X001016	1001682	5
10	1991858	1991858	2	34	XP01931	2993584	1
11	Washer M8 DIN125B	1001556	2	35	Nut M12 DIN985	1001684	2
12	P00078077	2098654	1	36	XP03232	GP26300	2
13	Sterknop M8	1001580	1	37	P00042258	1918904	1
14	1001558	1001558	2	38	P00042263	1918902	1
15	Y016681	F006290	1	39	Wheel D75x50	1902764	2
16	P00041505	GP28100	1	40	Wheel D100x32	1001252	2
17	M12x30	2995568	2	41	M12 spring washer	1001572	2
18	Retaining ring DIN471	1904807	1	42	P00078081	G105100	2
19	M10x35	1009442	2	43	M6x70 DIN6912	1902583	2
20	Nut M10	1001683	3	44	Tube plug D28mm	1001606	2
21	Washer M10 DIN127	1001566	2	45	P00042269	2658800	2
22	X004123	1692600	1	46	X004580	1904798	2
23	Pen D10x50	1998885	2	47	P00042842	2995611	1
24	M10x80 ISO7380	2992474	2	48	P00042843	2995610	1
				49	STICKER MAX. LOAD 130kg	2995632	2
				50	STICKER LOGO FALCON	T001194	2
				51	STICKER LOGO VERMEIREN	T001002	2
				52	M10 DIN439B	1903216	2


Sheet 3/4 8003207

PATIENT HOIST FALCON				Plan No.
				E00042257/G1.1
Scale: ---	Drafted	Verified	Confirmed	
Date	10/08/2022	21/08/2024	21/08/2024	
Initials	MK	DVB	AZ	

# Slings - Not depicted

No.	Plan	Article	Qty
	Comfort Net L	1905480	1
	Comfort Net M	1905479	1
	Comfort Net XL	1905481	1
	Comfort PE L	1905251	1
	Comfort PE M	1905359	1
	Comfort PE XL	1905360	1
	Hyg. Net L	1905483	1
	Hyg. Net M	1905482	1
	Hyg. Net XL	1905484	1
	Hyg. PE L	1905250	1
	Hyg. PE M	1905357	1
	Hyg. PE XL	1905358	1
	Reg. Net L	1905476	1
	Reg. Net M	1905475	1
	Reg. Net XL	1905477	1
	Reg. PE L	1903823	1
	Reg. PE M	1903824	1
	Reg. PE XL	1905478	1

Sheet 4/4 8003207

PATIENT HOIST FALCON				Plan No.
Scale: ---	Drafted	Verified	Confirmed	E00042257/G1.1
Date	10/08/2022	21/08/2024	21/08/2024	
Initials	MK	DVB	AZ	