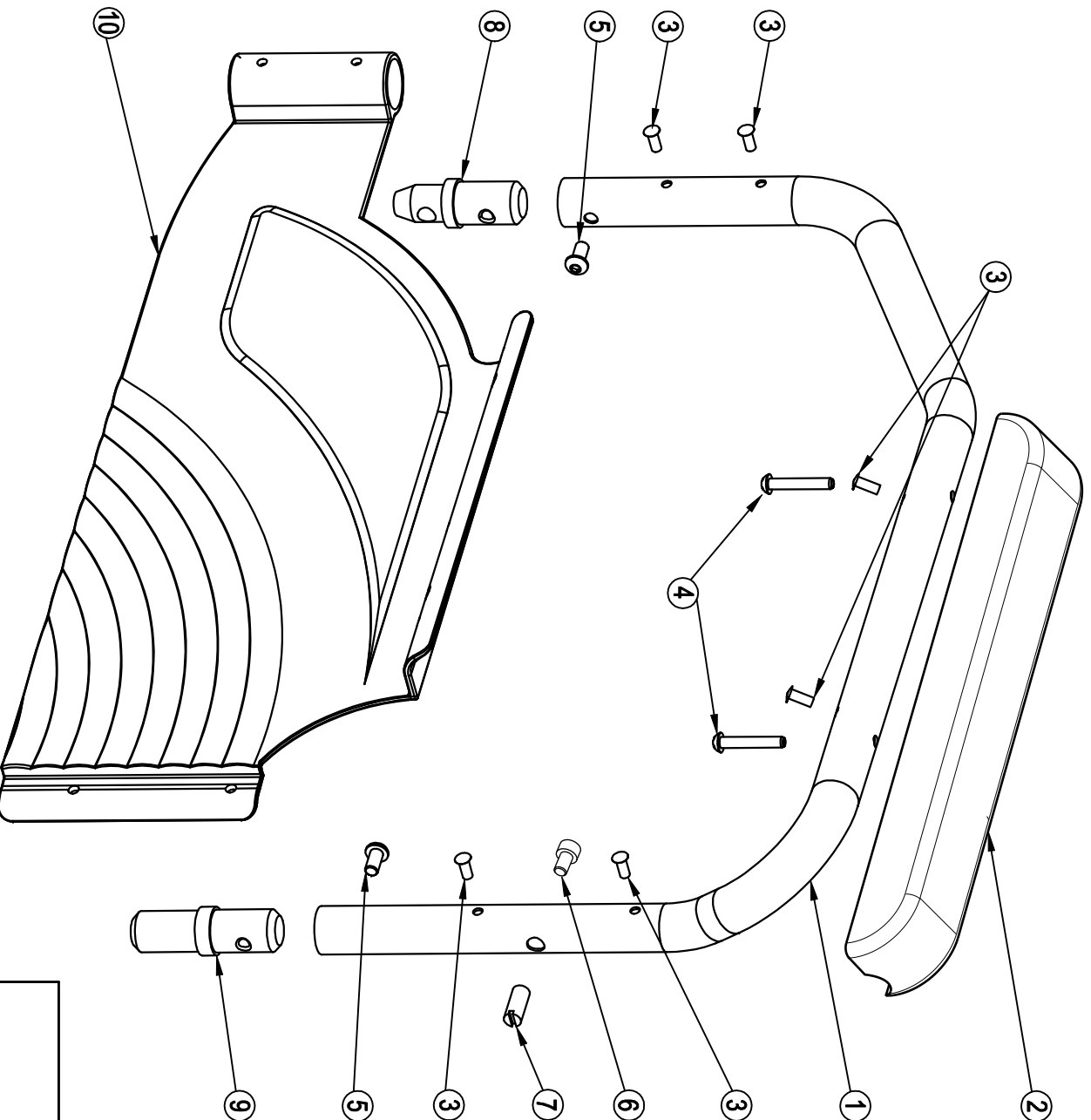
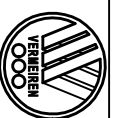


Material			
NO.	Plan	Article	Number
1	YC00924	1C324.(L)	1
	YC00925	1C325.(R)	1
2	X001994	1007053	2
3	---	1990752	12
4	---	1007954	4
5	---	1007000	4
6	---	1001491	2
7	X002671	1552000	2
8	X003371	1997774	2
9	X003368	1997773	2
10	XP00092	2990042 (L)	1
	XP00093	2990043 (R)	1



ARMREST B03 FOR 708D 2013

Scale / Schaal: 1 : 3		Drafted / Getekend		Verified / Nagezien		Confirmed / Bevestigd		Plan No. / Plannr.
Date / Datum		04/07/2013		21/08/2019		21/08/2019		EC00159/C
Init. / Init.		Mars		NY		TG		



EC00159/C