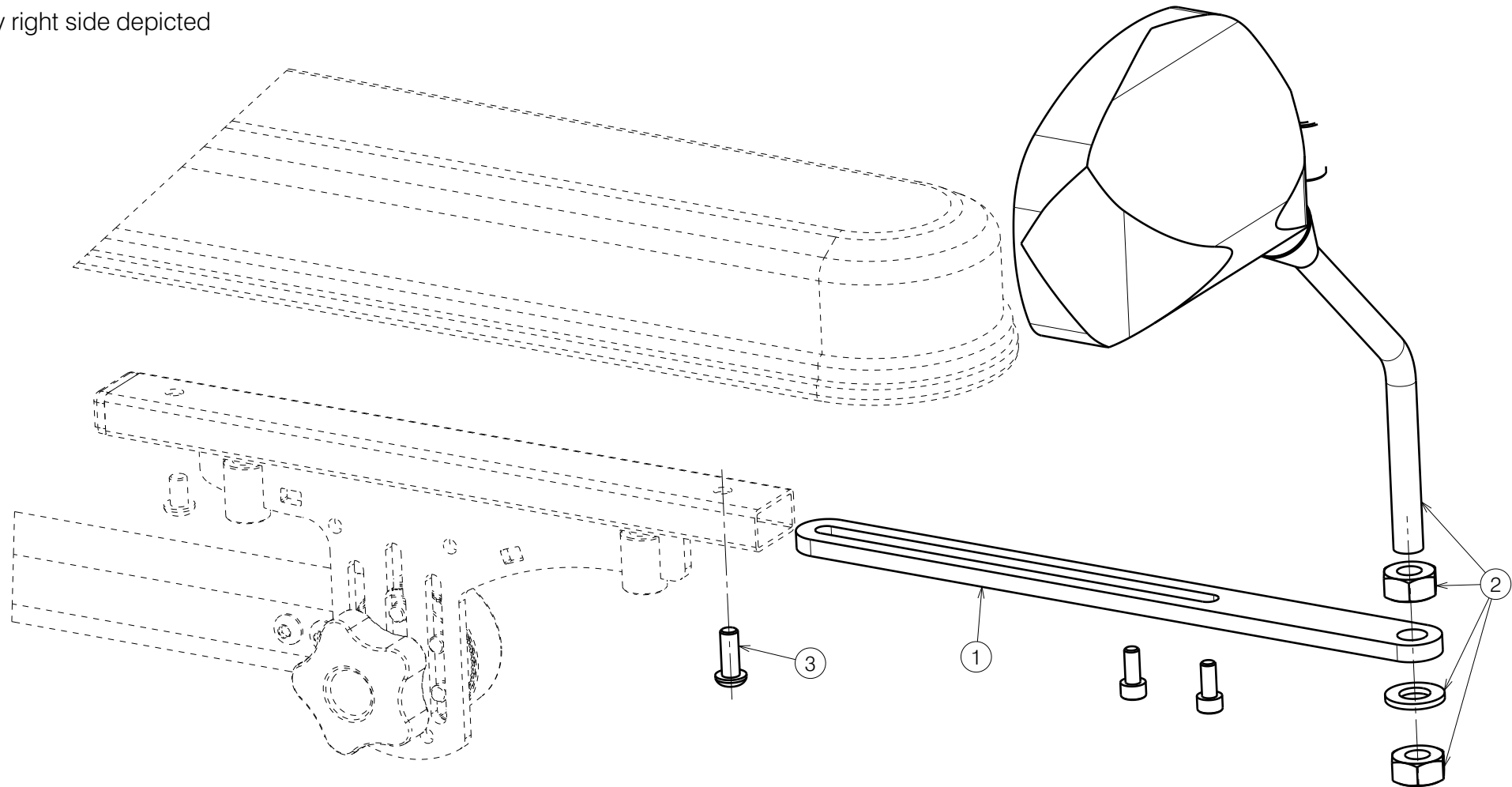


Material			
No.	Plan	Article	Quantity
1	Y019501	1785654	1
2	---	1904227 (L)	1
	---	1904228 (R)	1
3	M6x16	1008459	1

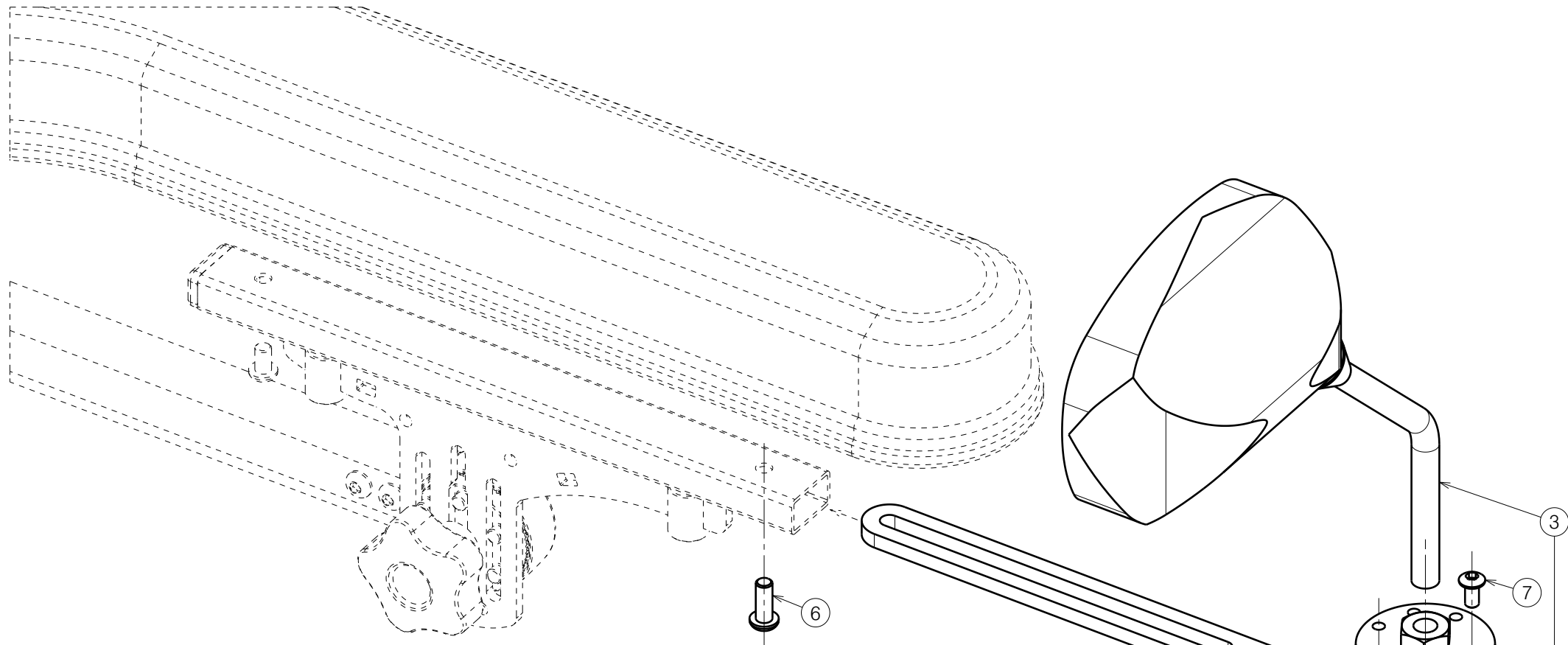
Only right side depicted



1909109 / 1909110

SE74 MIRROR WITH HOLDER TIMIX / FOREST 3 / SIGMA				Plan No. E000868/H
Scale: 1:2	Drafted	Verified	Confirmed	
Date	25/02/2013	09/05/2024	09/05/2024	
Initials	SV	PM	MK	

E000868 / H



Only right side depicted

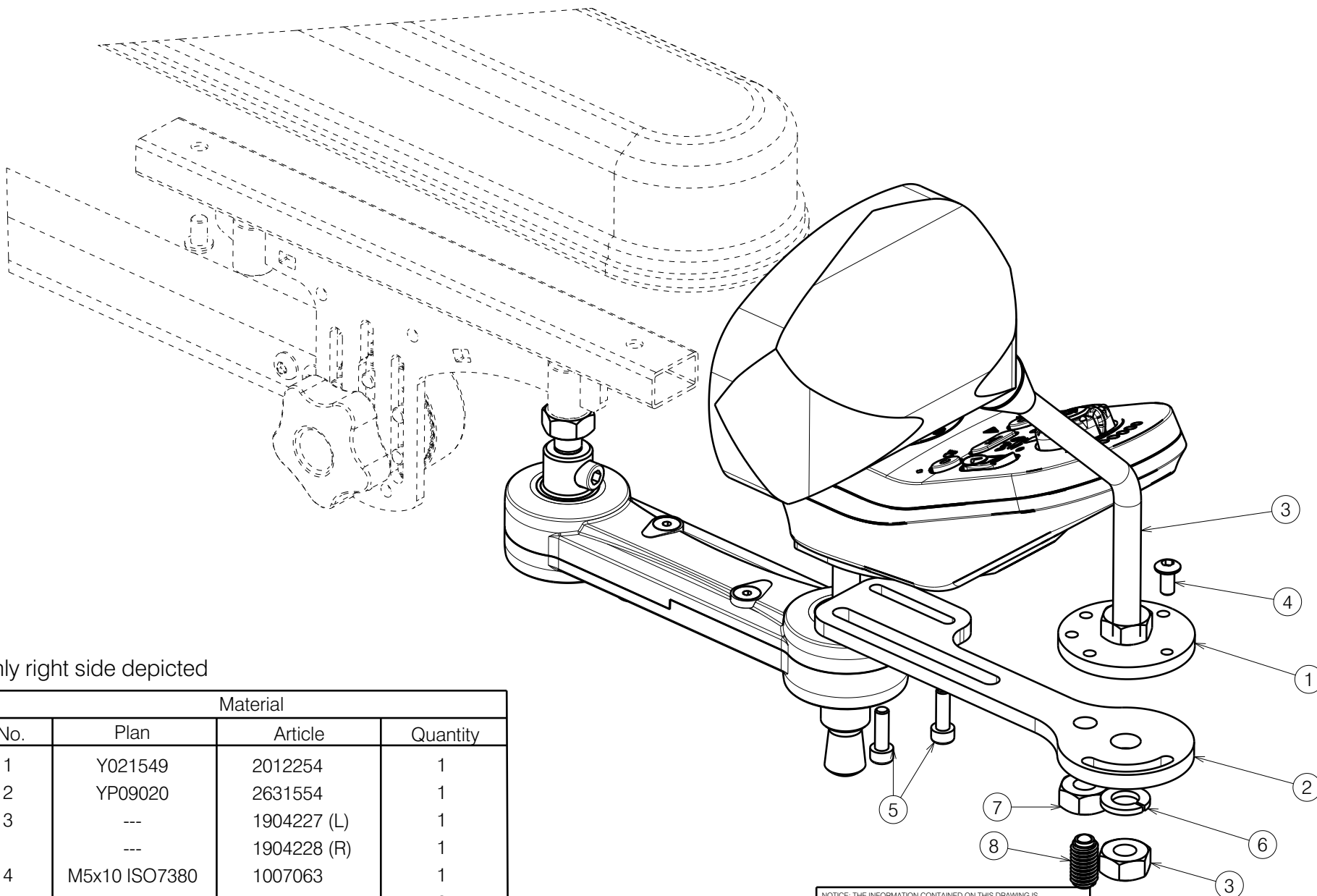
Material			
No.	Plan	Article	Quantity
1	Y021547	2012154	1
2	Y021549	2012254	1
3	---	1904227 (L)	1
	---	1904228 (R)	1
4	M10 DIN127A	1001566	1
5	M10 DIN934	1001672	1
6	M6x16	1008459	1
7	M5x10	1007063	1
8	M10x19	1991432	1

LEFT : 1911392
RIGHT: 1911393

E000868 / H

Sheet 2/4


SE74A MIRROR WITH HOLDER				Plan No. E000868/H
TIMIX / FOREST 3 / SIGMA - RETRACTABLE VERSION				
Scale: 1:2	Drafted	Verified	Confirmed	
Date	25/02/2013	09/05/2024	09/05/2024	
Initials	SV	PM	MK	



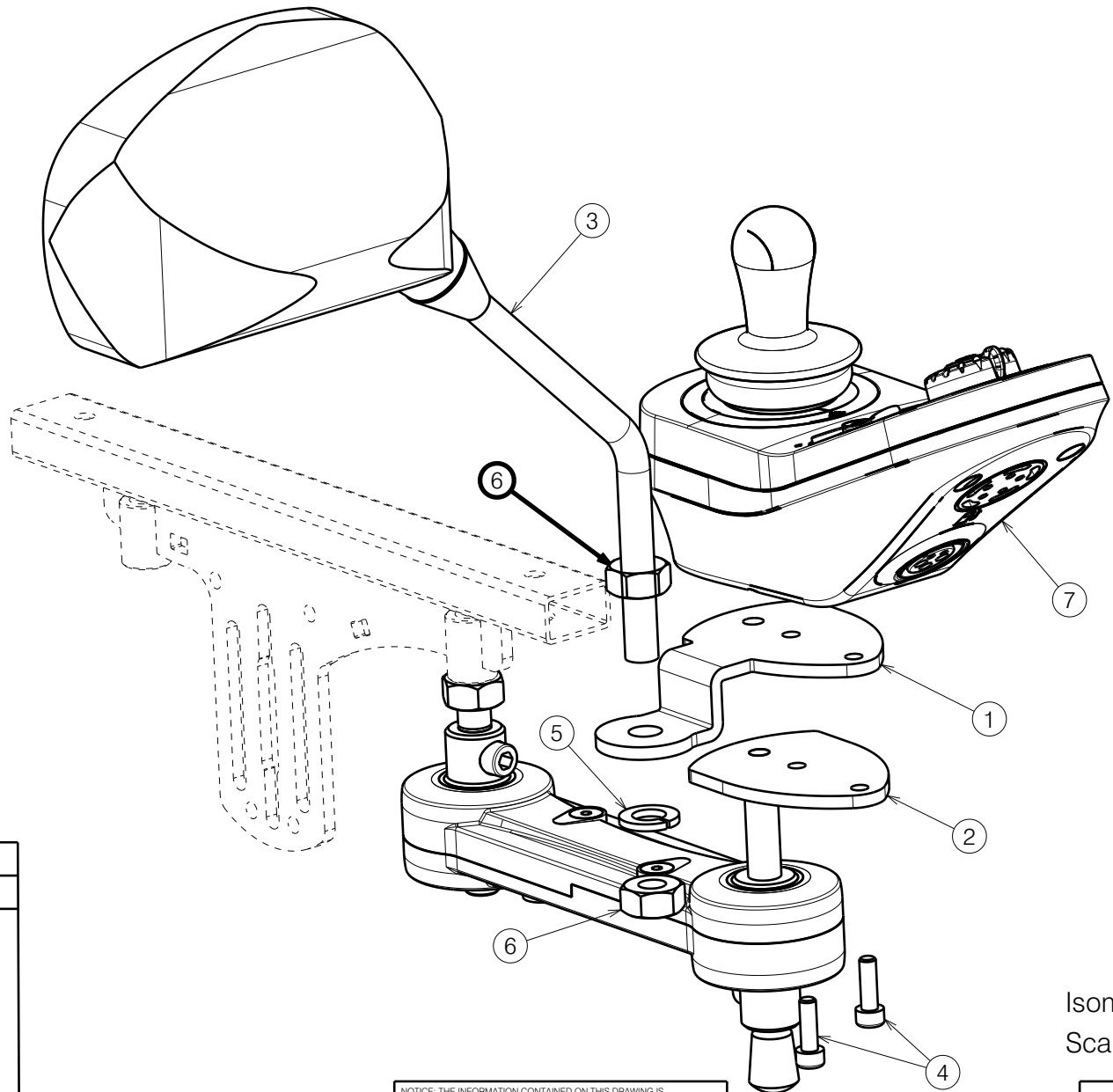
Only right side depicted

Material			
No.	Plan	Article	Quantity
1	Y021549	2012254	1
2	YP09020	2631554	1
3	---	1904227 (L)	1
	---	1904228 (R)	1
4	M5x10 ISO7380	1007063	1
5	M5x16 DIN912	1007198	2
6	M10 DIN127	1001566	1
7	M10 DIN934	1001672	1
8	M10x19	1991432	1

NOTICE: THE INFORMATION CONTAINED ON THIS DRAWING IS PROPRIETARY TO VERMEIREN GROUP AND SHALL NOT BE DISCLOSED IN WHOLE OR IN PART, OR USED FOR ANY DESIGN OR MANUFACTURE, EXCEPT WHEN SUCH USER POSSESSES DIRECT WRITTEN AUTHORISATION FROM VERMEIREN GROUP.

SE74A MIRROR ON CONTROLLER HOLDER				Plan No.
E000868 H				
Scale: 1:2	Drafted	Verified	Confirmed	
Date	30/04/2024	09/05/2024	09/05/2024	
Initials	MK	PM	MK	

E000868 / H



Isometric view
Scale: 1:2

Material			
No.	Plan	Article	Quantity
1	P00080881	2688854	1
2	Y021992	2021854	1
	---	1904227 (L)	1
3	---	1904228 (R)	1
4	M5x16 DIN912	1007198	2
5	M10 DIN127	1001566	1
6	M10 DIN934	1001672	2
7	CONTROLLER	CONTROLLER	1

NOTICE: THE INFORMATION CONTAINED ON THIS DRAWING IS PROPRIETARY TO VERMEIREN GROUP AND SHALL NOT BE DISCLOSED IN WHOLE OR IN PART, OR USED FOR ANY DESIGN OR MANUFACTURE, EXCEPT WHEN SUCH USER POSSESSES DIRECT WRITTEN AUTHORISATION FROM VERMEIREN GROUP.

Plan No.

SE74A MIRROR ON CONTROLLER HOLDER

E000868/H

Scale: 1:2	Drafted	Verified	Confirmed
Date	30/04/2024	09/05/2024	09/05/2024
Initials	MK	PM	MK



E000868 / H