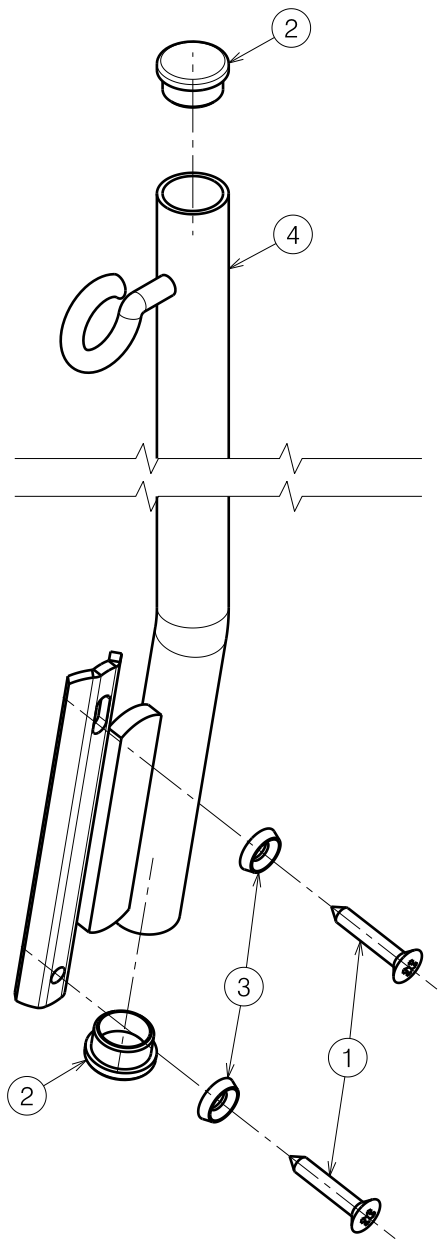



Material			
No.	Plan	Article	Quantity
1	Φ4,8x25 DIN7983	1001536	2
2	Φ19	1001602	2
3	X001473	1002994	2
4	Y022429	2040154	1



1912953

B52 SERUM HOLDER FOR 708D FIXT				Plan No.
				E001068 / A
Scale: 1:2	Drafted	Verified	Confirmed	
Date	11/01/2017	11/01/2017	11/01/2017	
Initials	TT	PA	PJ	

E001068 / A