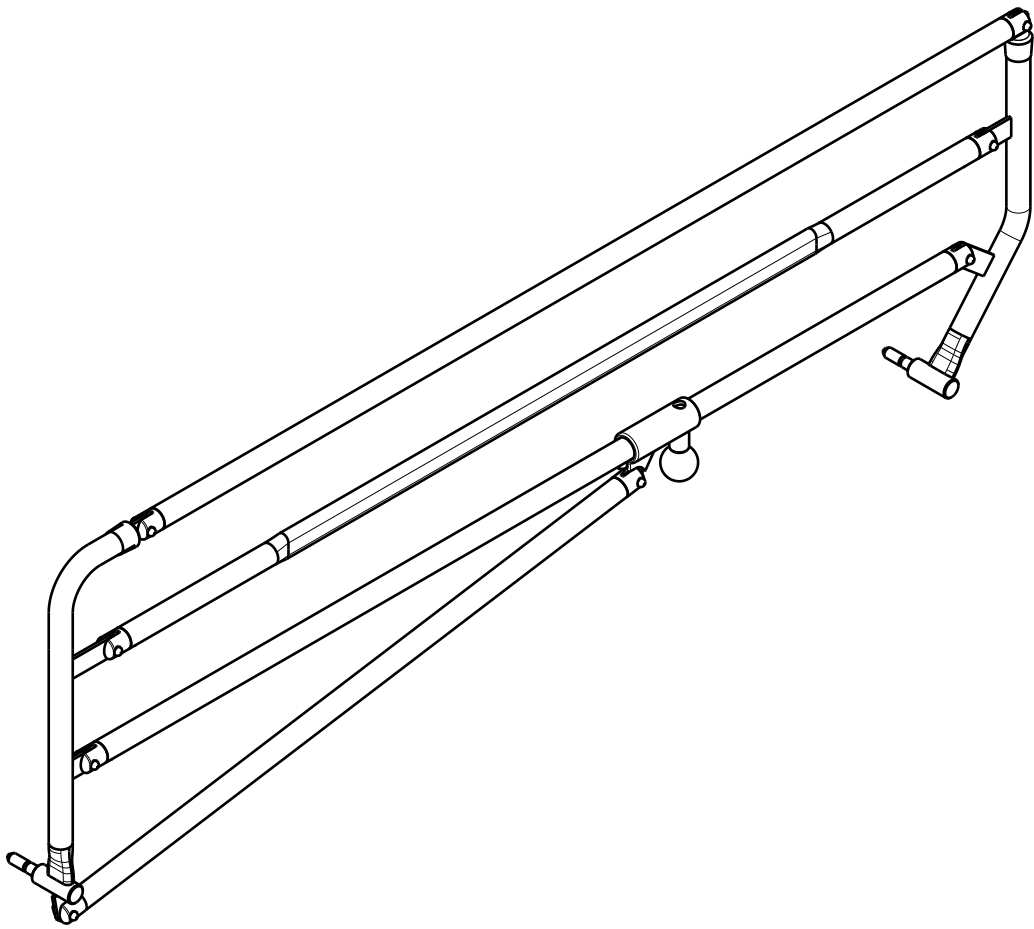



EP00256 / F

| | | | | |
|--------------------------|------------|------------|------------|---|
| LEFT SIDE RAILS / ILLICO | | | | Plan No. |
| | | | | 1/2 EP00256/ F |
| Scale: 1:6 | Drafted | Verified | Confirmed |  |
| Date | 27/10/2017 | 11/03/2021 | 11/03/2021 | |
| Initials | AZ | DR | TK | |



| Material | | | |
|----------|-----------------|---------|----------|
| No. | Plan | Article | Quantity |
| 1 | YP06054 | 2792082 | 1 |
| 2 | YP06073 | 2792882 | 1 |
| 3 | Y004091 | 1507882 | 1 |
| 4 | Y004496 | F002667 | 2 |
| 5 | Y018142 | 1767382 | 1 |
| 6 | YP06077 | 2795282 | 1 |
| 7 | Y018201 | 1765782 | 1 |
| 8 | X002074 | 1992183 | 2 |
| 9 | X002170 | 1992792 | 1 |
| 10 | X002278 | 1992934 | 1 |
| 11 | X002279 | 1498400 | 1 |
| 12 | X002397 | 1993353 | 1 |
| 13 | X003698 | 1004550 | 1 |
| 14 | X004984 | 1907802 | 6 |
| 15 | Nut M6 | 1008492 | 8 |
| 16 | M6x20 DIN912 | 1001493 | 8 |
| 17 | D4x16 | 1003021 | 8 |
| 18 | D4.8x19 DIN7983 | 1001534 | 1 |

EP00256 / F

| | | | | |
|--------------------------|------------|------------|------------|---|
| LEFT SIDE RAILS / ILLICO | | | | Plan No. |
| | | | | EP00256/ F |
| Scale: 1:6 | Drafted | Verified | Confirmed |  |
| Date | 27/10/2017 | 11/03/2021 | 11/03/2021 | |
| Initials | AZ | DR | TK | |