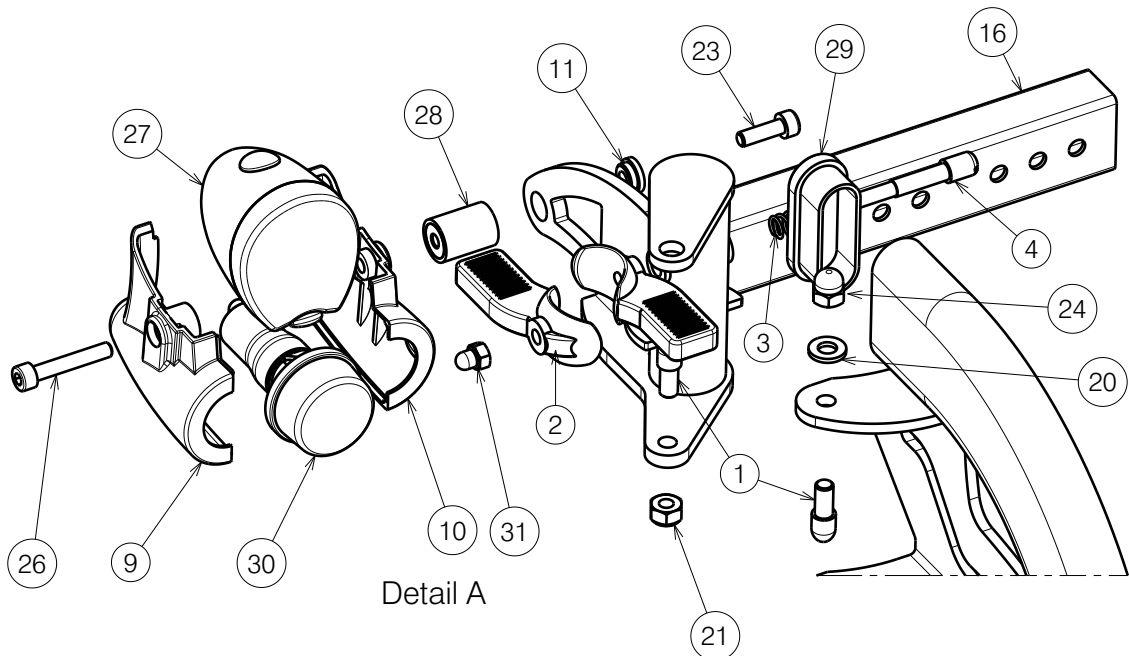


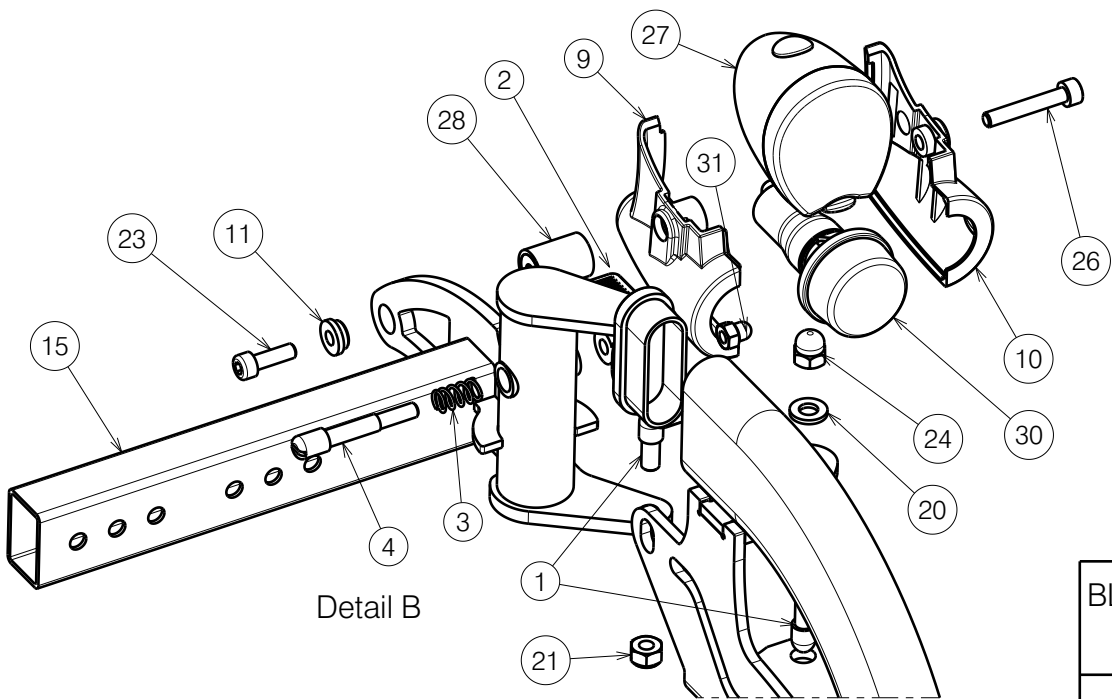
EP00591 / B

BL6 FOOTREST FOREST 3 / FOREST 3* / FOREST 3+ / NAVIX / TIMIX				Plan No. EP00591 / B
			Sheet 1/2	
Scale: 1:5	Drafted	Verified	Confirmed	
Date	1/07/2021	17/04/2023	17/04/2023	
Initials	PM	PM	MK	





Detail A



Detail B

EP00591 / B

Material			
No.	Plan	Article	Quantity
1	X000227	1465200	4
2	X002126	1992429	2
3	X002169	1992791	2
4	X004360	G080000	2
5	X004706	1905703	1
6	X004707	1905704	1
7	X004711	1736500	1
8	X004712	1736600	1
9	X004942	1907377	2
10	X004943	1907376	2
11	X004960	1907430	2
12	X005133	1787000	2
13	Y021053	2008254	1
14	Y021054	2008354	1
15	Y019772	1792554	1
16	Y019774	1792654	1
17	YP09111	2634800	1
18	YP09112	2634900	1
19	YP03941	2880732 (40)	1
	Y021287	2070132 (45)	1
	Y022682	2042832 (50)	1
	Y023775	2076932 (55)	1
	Y022419	2040032 (60)	1
	Y023764	2077032 (65)	1
	Y023755	2077132 (70)	1
20	M6 DIN125	1001564	2
21	M6 DIN985	1001680	6
22	M6x60 DIN912	1005957	1
23	M5x16 DIN912	1007198	2
24	M6	1008492	3
25	M6x20 DIN7991	1903081	4
26	M5x30 DIN912	1903983	2
27	---	1907340	2
28	70° SHORE	1910745	2
29	48x20	1990980	2
30	---	1991679	2
31	M5 DIN986	1992804	2

BL6 FOOTREST FOREST 3 / FOREST 3* / FOREST 3+ / NAVIX / TIMIX			Plan No. EP00591 / B
Sheet 2/2			
Scale: 1:5	Drafted	Verified	Confirmed
Date	1/07/2021	17/04/2023	17/04/2023
Initials	PM	PM	MK

