
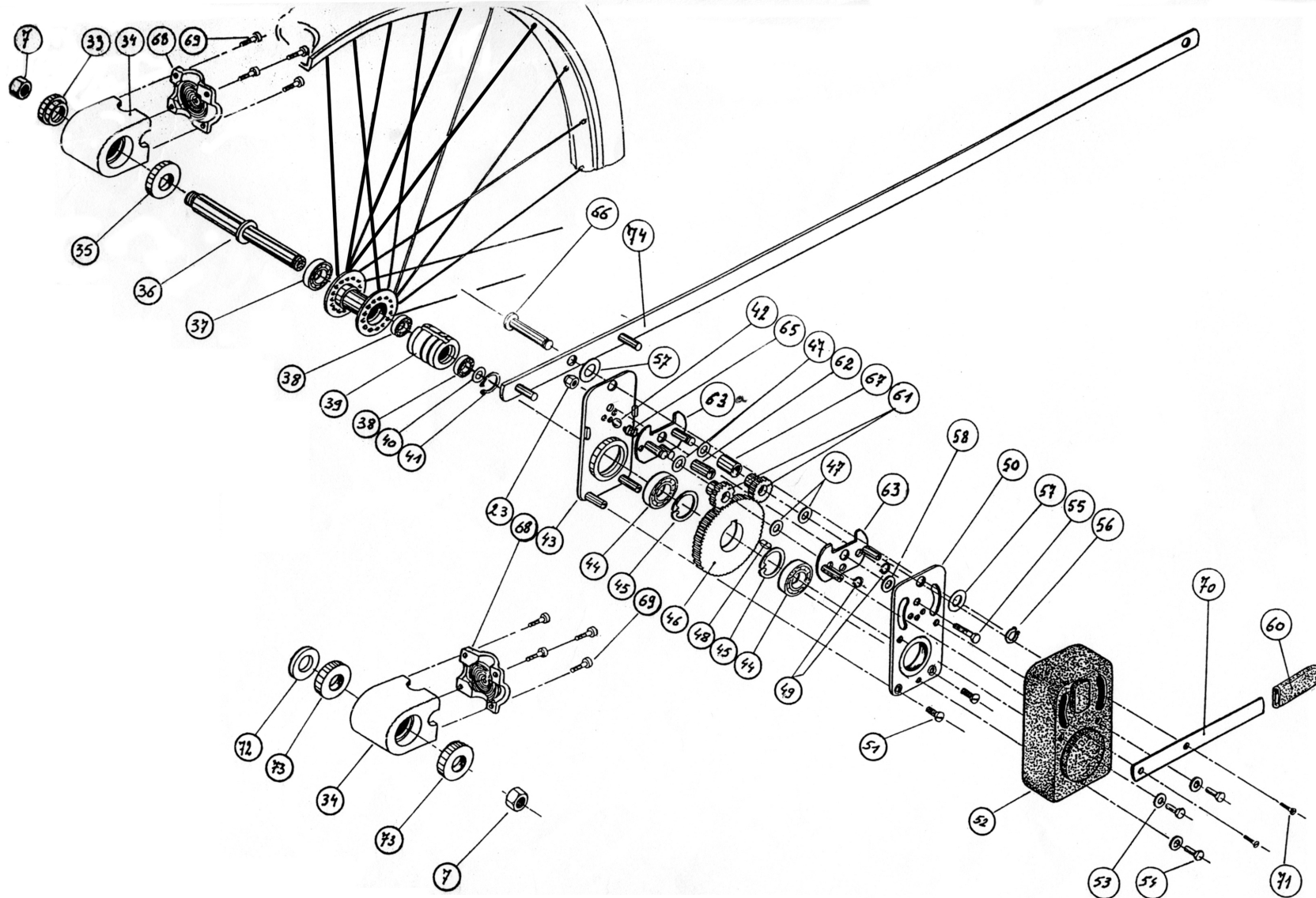


2991431

E000714 / H

HEM1 PROPULSION SYSTEM HEM1 AANDRIJFSYSTEEM				Plan No. E000714 / H
Scale: 1:3	Drafted	Verified	Confirmed	
Date	08/09/2011	22/12/2015	22/12/2015	
Initials	SD	TT	PJ	






2991431

HEM1 PROPULSION SYSTEM HEM1 AANDRIJFSYSTEEM				Plan No.
Sheet 2/3				E000714 / H
Scale: 1:8	Drafted	Verified	Confirmed	
Date	08/09/2011	22/12/2015	22/12/2015	
Initials	SD	TT	PJ	

E000714 / H

Material											
No.	Plan	Article	Quantity	No.	Plan	Article	Quantity	No.	Plan	Article	Quantity
1	Y001182	1393601	1	26	X000937	G001600	1	53	---	1001550	3
2	---	1001646	1	27	---	1003199	2	54	---	1001424	3
	---	1004288	1	28	/	/	/	55	X000255	G056000	1
3		1003066	1	29	Y001288	1394100	1	56	---	1001511	1
4	X000929	G089200	1	30	X000926	16957	1	57	---	1000973	2
5	---	1006835	1	31	X000927	16956	1	58	X000261	G000569	1
6	X000930	G089300	1	32	Y008490	1615304	1	59	/	/	/
7	---	1001673	2	33	X000931	G089400	1	60	---	1001144	1
8	---	1001561	1	34	X000913	15063	1	61	---	1000008	2
9	---	1001495	1	35	X000933	G089600	1	62	X000259	G056500	1
10	X000928	1394200	1	36	X000257	G000562	1	63 a	Y001174	1393300	1
11	---	1001421	2	37	---	1001421	3	63	Y001173	1393400	1
12	X000935	G000897	1	38	---	1003378	2	65	X001760	1007592	1
13	---	1003050	1	39	X000253	G055800	1	66	X000369	G067500	1
14	---	1004885	2	40	XP01306	2992373	1	67	---	G000210	1
15	---	G600100	1	41	---	1001514	1	68	X000914	15080	1
16	---	G006003	1	42	---	1007608	1	69	---	1003907	4
17	---	G600200	1	43	Y001035	1393100	1	70	Y001282	1372101	1
18	X000924	16955	1	44	---	1005211	2	71	---	1003945	2
19	---	1003944	1	45	---	1001515	2	72	---	1001561	1
20	/	/	/	46	---	1000373	1	73	X000932	G089500	2
21	Y001177	1393001 (R)	1	47	X003120	1000975	4	74 (708)	Y001189	1393701	1
	Y009940	1653801 (L)	1	48	---	1000372	1	(750)	---	1381601	1
22	X000934	G000898	1	49	---	1001512	2	75	X003698	1004550	1
23	X001016	1001682	2	50	Y001170	1393200	1	76	---	1001534	1
24	---	1001670	1	51	---	1001473	2	77	---	G089700	2
25	---	1001671	2	52	X000422	G100118	1	78	---	1001564	2

E000714 / H	2991431	HEM1 PROPULSION SYSTEM				Plan No.
		HEM1 AANDRIJFSYSTEEM Sheet 3/3				E000714 / H
		Scale: 1:3	Drafted	Verified	Confirmed	
		Date	08/09/2011	22/12/2015	22/12/2015	
Initials	SD	TT	PJ			