


2994439

<b>SIGMA 230 MOTOR SYSTEM</b>				Plan No. E001132 / J
Sheet 1/4 Right Side				
Scale: 1:5	Drafted	Verified	Confirmed	
Date	04/07/2019	13/09/2023	13/09/2023	
Initials	SD	PM	MK	

To attach front light cable E001132 / J

Material							
No.	Plan	Article	Quantity	No.	Plan	Article	Quantity
1	Y020260	17972..	1	22*	M5 DIN985	1001679	4
2	X005083	1908680	1	23	X001016	1001682	3
4*	X005732	1914519	1	24	M12 DIN985	1001684	3
4**	X005870	1915673	1	25	M8x70 DIN912	1005289	3
5	Y023683	20733..	1	26	M12x1,5 DIN985	1993736	1
6*	Y022613	2046254	1	27	M12x110 DIN931	1911970	1
7	Y022824	2046554	1	28*	M5x16 ISO7380	1006112	1
8	X005809	2050004	1	29*	M6x10 ISO7380	1900641	1
10A	350W - 10 km/h	1904170	1	30	M8x16 ISO7380	1991858	2
10B	220W - 6 km/h	1916563	1	31	6003-ZZ	1001409	1
11	Right Rolko fill Bl.	1915347	1	33	M4 DIN127	1998515	4
12	Block Grey	1915153	1	34	M4x10 ISO7380	1998758	1
	Block Black	1915154	1	36	Y023085	20529..	1
	Right Line Black	1915156	1	37	M5 DIN125	1001550	2
	Block Rolko fill Bl.	1915157	1	38	Y023112	2053854	1
13*	M5 DIN125	1000972	2	39	M5x16 DIN912	1007198	2
14*	Front Light	1914551	1	40*	---	W620262	1
15	6202/16-2Z	1914813	2	41	M4x6 ISO7380	1915808	3
16	M5x10 DIN916	1001485	1	43	M8x85 DIN912	1902802	1
17	M8x16 DIN912	1915411	5	44	X005589	1912549	1
19	M12 DIN125A	1001561	4				
20	Ø38	1001611	1				
21	M8 DIN934	1001671	1				

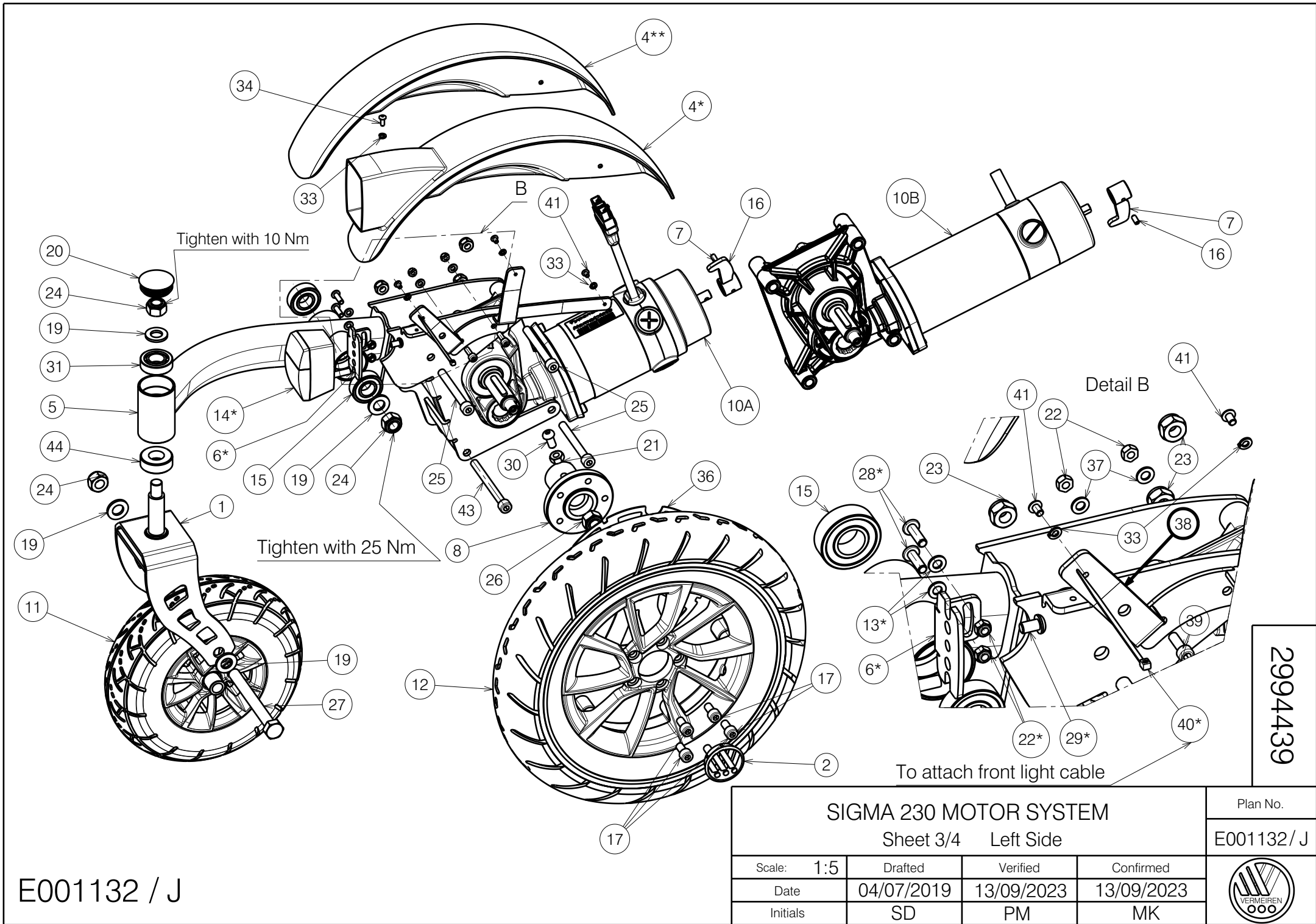
\* With lighting

\*\* Without lighting

2994439

E001132 / J

SIGMA 230 MOTOR SYSTEM				Plan No.
Sheet 2/4 Right Side				E001132 / J
Scale: 1:5	Drafted	Verified	Confirmed	
Date	04/07/2019	13/09/2023	13/09/2023	
Initials	SD	PM	MK	



E001132 / J

<b>SIGMA 230 MOTOR SYSTEM</b>				Plan No. E001132 / J
Sheet 3/4 Left Side				
Scale:	1:5	Drafted	Verified	Confirmed
Date	04/07/2019	13/09/2023	13/09/2023	13/09/2023
Initials	SD	PM	MK	




Material							
No.	Plan	Article	Quantity	No.	Plan	Article	Quantity
1	Y020260	17972..	1	22*	M5 DIN985	1001679	4
2	X005083	1908680	1	23	X001016	1001682	3
4*	X005731	1914518	1	24	M12 DIN985	1001684	3
4**	X005869	1915672	1	25	M8x70 DIN912	1005289	3
5	Y023681	20732..	1	26	M12x1,5 DIN985	1993736	1
6*	Y022613	2046254	1	27	M12x110 DIN931	1911970	1
7	Y022824	2046554	1	28*	M5x16 ISO7380	1006112	1
8	X005809	2050004	1	29*	M6x10 ISO7380	1900641	1
10A	350W - 10 km/h	1904171	1	30	M8x16 ISO7380	1991858	2
10B	220W - 6 km/h	1916564	1	31	6003- ZZ	1001409	1
11	Left Rolkofill Bl.	1915167	1	33	M4 DIN127	1998515	4
12	Block Grey	1915153	1	34	M4x10 ISO7380	1998758	1
	Block Black	1915154	1	36	Y023085	20529..	1
	Left Line Black	1915155	1	37	M5 DIN125	1001550	2
	Block Rolkofill Bl.	1915157	1	38	Y023111	2053754	1
13*	M5 DIN125	1000972	2	39	M5x16 DIN912	1007198	2
14*	Front Light	1914551	1	40*	---	W620262	1
15	6202/16-2Z	1914813	2	41	M4x6 ISO7380	1915808	3
16	M5x10 DIN916	1001485	1	43	M8x85 DIN912	1902802	1
17	M8x16 DIN912	1915411	5	44	X005589	1912549	1
19	M12 DIN125A	1001561	4				
20	Ø38	1001611	1				
21	M8 DIN934	1001671	1				

\* With lighting

\*\* Without lighting

2994439

E001132 / J

SIGMA 230 MOTOR SYSTEM				Plan No. E001132 / J
Sheet 4/4 Left Side				
Scale: 1:5	Drafted	Verified	Confirmed	
Date	04/07/2019	13/09/2023	13/09/2023	
Initials	SD	PM	MK	