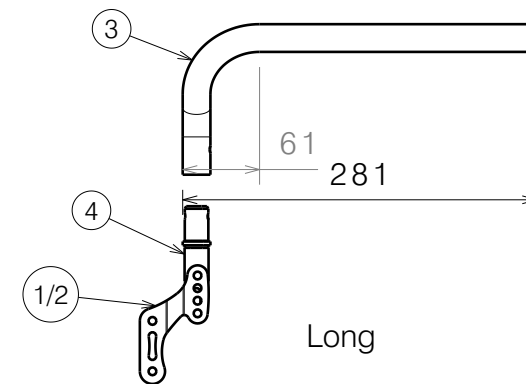
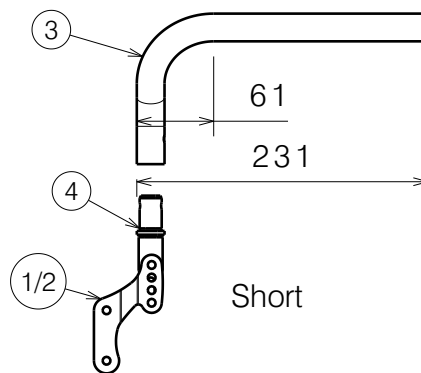
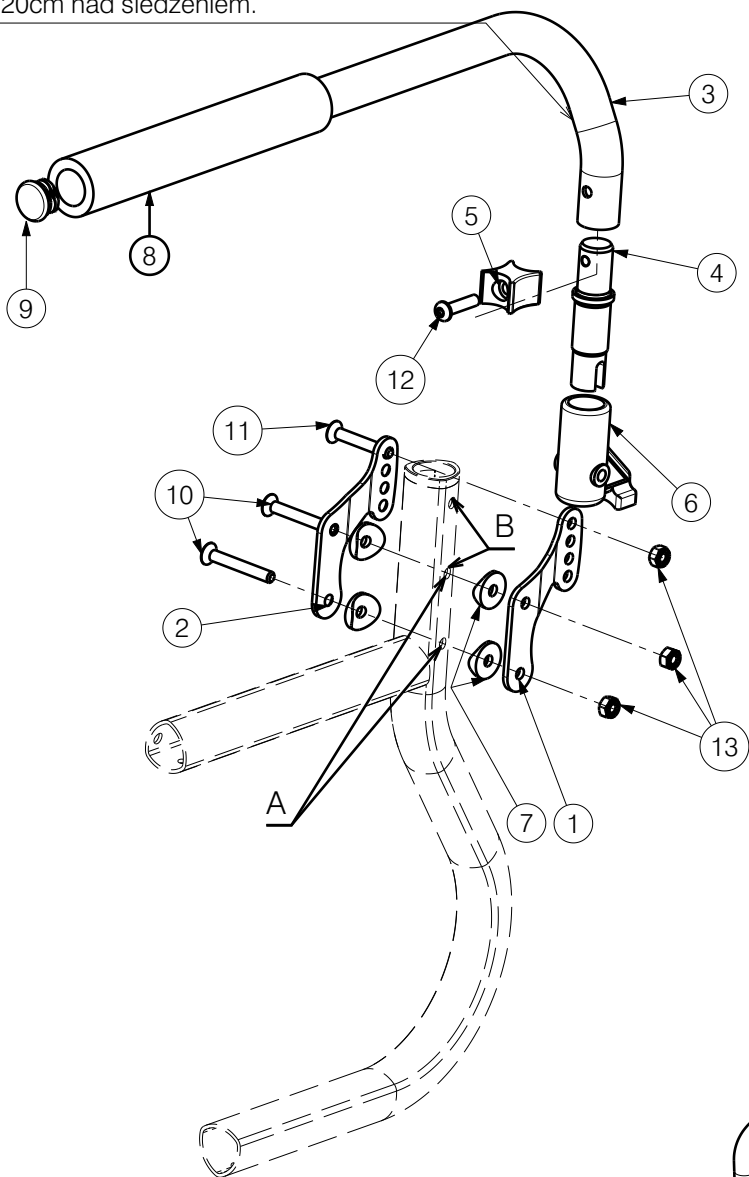


Mount ok.20 cm above the seat./ Montowac  
ok. 20cm nad siedzeniem.

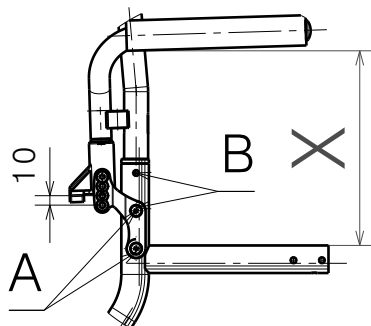


Material (Short Set)			
No.	Plan	Article	Quantity
1	YP08471(R)	2617365	1
	YP08472(L)	2617465	1
2	YP08469(R)	2617165	1
	YP08470(L)	2617265	1
3	YP02372(R)	1899865	1
	YP02373(L)	1899765	1
4	XP00615	2990920	1

Material (Long Set)			
No.	Plan	Article	Quantity
1	YP08961(R)	2630365	1
	YP08962(L)	2630465	1
2	YP08959(R)	2630565	1
	YP08960(L)	2630665	1
3	YP07780(R) Long	2781965	1
	YP07781(L) Long	2782065	1
4	XP03059	2996852	1

Material			
No.	Plan	Article	Quantity
5	XP01843( $\phi$ 22)	2993563	1
	XP00697( $\phi$ 25.4)	2990919	1
6	XP00335	2990264	1
7	XP01560	2993561	4
8	---	1991107	0,19m
9	CAPD22	1990648	1
10	M6X45	2994125	2
11	M6x40	2994123	1
12	M6x25	2994062	1
13	M6	2994063	3

A: X=200mm-230mm  
B: X=240mm- 270mm



EP00270 / G

TUBULAR ARMREST TRIGO				Plan No.
				EP00270 / G
Scale: 1:1	Drafted	Verified	Confirmed	
Date	28/06/2018	10/10/2022	10/10/2022	
Initials	AS	MK	TK	