

VERMEIREN

253

INSTRUCTION MANUAL
MODE D'EMPLOI
GEBRUIKSAANWIJZING
GEBRAUCHSANWEISUNG
ISTRUZIONI PER L'USO
MANUAL DE INSTRUCCIONES
INSTRUKCJA OBSŁUGI



EN

Instructions for specialist dealer

This instruction manual is part and parcel of the product and must accompany every product sold.

Version: A, 2015-03

FR

Instructions pour les distributeurs

Ce manuel d'instructions fait partie du produit et doit accompagner chaque produit vendu.

Version : A, 2015-03

NL

Instructies voor de vakhandelaar

Deze handleiding is deel van het product en dient bij iedere product te worden geleverd.

Versie: A, 2015-03

DE

Hinweise für den Fachhändler

Diese Gebrauchsanweisung ist Bestand-teil des Produkts und ist bei jeder Produkts auszuhändigen.

Version: A, 2015-03

IT

Istruzioni per il rivenditore

Il presente Manuale di istruzioni è parte integrante del prodotto e deve essere fornito assieme alla prodotto.

Versione: A, 2015-03

ES

Instrucciones destinadas a los distribuidores especializados

El presente manual de instrucciones es parte integrante del producto y se debe adjuntar a todas las producto que se vendan.

Versión: A, 2015-03

PL

Instrukcje dla wyspecjalizowanego sprzedawcy

Niniejsza instrukcja obsługi jest nieodłączną częścią produktu i musi być dołączona do każdego sprzedawanego produktu.

Wersja: A, 2015-03

All rights reserved, including translation.

No part of this manual may be reproduced in any form what so ever (print, photocopy, microfilm or any other process) without written permission of the publisher, or processed, duplicated or distributed by using electronic systems.

Tous droits réservés, y compris la traduction.

Aucune partie de ce manuel ne peut être reproduite, sous quelque forme que ce soit (imprimée, photocopie, microfilm ou tout autre procédé) sans l'autorisation écrite du publicateur, ni traitée, dupliquée ou distribuée à l'aide de systèmes électroniques.

Alle rechten, inclusief vertaling, voorbehouden.

Niets uit deze handleiding mag geheel of gedeeltelijk in enige vorm (druk, fotokopie, microfilm of ieder ander procedé) zonder de schriftelijke toelating van de uitgever worden gereproduceerd of met behulp van elektronische systemen worden verwerkt, gekopieerd of verspreid.

Alle Rechte, auch an der Übersetzung, vorbehalten.

Kein Teil der Gebrauchsanweisung darf in irgendeiner Form (Druck, Fotokopie, Mikrofilm oder einem anderen Verfahren) ohne schriftliche Genehmigung des Herausgebers reproduziert oder unter Verwendung elektronischer Systeme verarbeitet, vervielfältigt oder verbreitet werden.

Tutti i diritti riservati (anche sulla traduzione).

Il presente manuale non può essere riprodotto, neppure parzialmente, con alcun mezzo (stampa, fotocopia, microfilm o altro procedimento) senza l'autorizzazione scritta della casa produttrice, né elaborato, duplicato o distribuito con l'ausilio di sistemi elettronici.

Todos los derechos reservados, incluidos los de la traducción.

Se prohíbe la reproducción total o parcial del presente manual de cualquier forma (impresión, fotocopia, microfilm o cualquier otro procedimiento), así como la edición, copia o distribución empleando sistemas electrónicos, sin el permiso escrito del editor.

Wszelkie prawa zastrzeżone, łącznie z tłumaczeniem.

Żadna część niniejszej instrukcji nie może być powielana w jakiegokolwiek formie (drukowanej, fotokopii, mikrofilmu ani innej) bez pisemnej zgody wydawcy, nie może być również przetwarzana, kopiowana ani rozprowadzana za pomocą systemów elektronicznych.

EN Contents

1. Technical details	2
2. Components	2
3. Explanation of symbols	2
4. Check after delivery	2
5. Intended use	2
6. Fold and unfold the rollator (Fig. 1)	3
7. Assembly	3
8. Pushing handgrips (Fig. 2)	3
9. Basket	3
10. Safety instructions	4
11. Care	4
12. Disinfection	4
13. Repairs / Service / Inspection	4
14. Shipping and storage	5
15. Warranty	5
16. Disposal	5
17. Declaration of conformity	5

FR Table des matières

1. Caractéristiques techniques	6
2. Composants	6
3. Explication des symboles	6
4. Contrôle lors de la réception	6
5. Utilisation	6
6. Plier et déplier le rollator (Fig. 1)	7
7. Montage	7
8. Poignées de poussée (Fig. 2)	7
9. Panier des achats	8
10. Consignes de sécurité	8
11. Entretien	8
12. Désinfection	8
13. Réparation / entretien / inspection	8
14. Expédition et stockage	9
15. Garantie	9
16. Mise au rebut	9
17. Déclaration de conformité	9

NL Inhoudsopgave

1. Technische gegevens	10
2. Onderdelen	10
3. Gebruikte symbolen	10
4. Controle bij ontvangst	10
5. Gebruik	10
6. Op- en openvouwen van de rollator (Fig. 1)	11
7. Montage	11
8. Handgrepen voor te duwen (Fig. 2)	11
9. Mandje	12
10. Veiligheidsinstructies	12
11. Verzorging	12
12. Desinfecteren	12
13. Reparatie / onderhoud / inspectie	12
14. Verpakking en opslag	13
15. Garantie	13
16. Afvalverwerking	13
17. Verklaring van overeenstemming	13

DE Inhalt

1. Technische Daten	14
2. Bauteile	14
3. Zeichenerklärung	14
4. Prüfungen nach der Lieferung	14
5. Zweckbestimmung	14
6. Zusammen- und Aufklappen des Rollators (Abb. 1)	15
7. Montage	15
8. Schiebegriffe (Abb. 2)	15
9. Korb	16
10. Sicherheitsanweisungen	16
11. Pflege	16
12. Desinfektion	16
13. Reparatur / Wartung / Inspektion	16
14. Verpackung und Lagerung	17
15. Gewährleistung	17

16. Entsorgung	17
17. Übereinstimmungserklärung	17

IT Indice

1. Dati tecnici	18
2. Componenti	18
3. Significato dei simboli	18
4. Controllo dopo la consegna	18
5. Utilizzo previsto	18
6. Apertura e chiusura del rollator (Fig. 1)	19
7. Assemblaggio	19
8. Impugnatura di spinta (Fig. 2)	19
9. Cestino	20
10. Istruzioni per la sicurezza	20
11. Pulizia	20
12. Disinfezione	20
13. Riparazione / Manutenzione / Controllo	20
14. Trasporto e conservazione	21
15. Garanzia	21
16. Smaltimento	21
17. Dichiarazione di conformità	21

ES Índice

1. Datos técnicos	22
2. Componentes	22
3. Explicación de los símbolos	22
4. Comprobación tras la entrega	22
5. Uso previsto	22
6. Plegado y desplegado el andador (imagen 1)	23
7. Montaje	23
8. Empuñaduras (imagen 2)	23
9. Cesta	24
10. Instrucciones de seguridad	24
11. Cuidados	24
12. Desinfección	24
13. Reparaciones / Mantenimiento / Inspección	24
14. Envío y almacenamiento	25
15. Garantía	25
16. Eliminación	25
17. Declaración de conformidad	25

PL Spis treści

1. Dane techniczne	26
2. Elementy składowe	26
3. Objasnienia symboli	26
4. Kontrola po dostawie	26
5. Przeznaczenie	27
6. Składanie i rozkładanie rolatora (Rys. 1)	27
7. Montaż	27
8. Rączki-uchwyty (Rys. 2)	27
9. Koszyk	28
10. Instrukcje bezpieczeństwa	28
11. Pielęgnacja	28
12. Dezynfekcja	28
13. Naprawy/konserwacja/przeglądy	28
14. Wysyłka i przechowywanie	29
15. Gwarancja	29
16. Utylizacja	29
17. Deklaracja zgodności	29

INSTRUCTION MANUAL

Rollator 253

1. Technical details

⚠ WARNING: Risk of unsafe settings - Use only the settings described in this manual.

Make	Vermeiren	
Address	Vermeirenplein 1/15, B-2920 Kalmthout	
Type	Rollator	
Model	253	
Width	560 mm	
Length (unfolded)	670 mm	
Length (folded)	185 mm	
Maximum height	915 mm	
Minimum height	795 mm	
Seat height	530 mm	
Seat width	415 mm	
Seat depth	250 mm	
Weight	4,60 kg	
Weight tray	0,25 kg	
Weight basket	0,85 kg	
Wheels	Ø 145 mm x 25 mm	
Max. inclination forwards	15°	
Max. inclination backwards	7°	
Max. inclination sideways	3,5°	
Maximum user weight	max. 130 kg	
Maximum basket weight	max. 5 kg	
Turning width	780 mm	
Storage temperature	+5°C - +41°C	
We reserve the right to introduce technical changes. Measurement tolerance +/- 15 mm / 1,5 kg / °		

First of all we wish to thank you for the trust you placed in us by selecting a **VERMEIREN** product.

Before using the rollator, read the instruction manual carefully: it will familiarise you with this product.

You will also be given hints about the care and service of your rollator. Please remember that observance of our hints would keep your rollator in an excellent condition of preservation and it will function perfectly even after years of use.

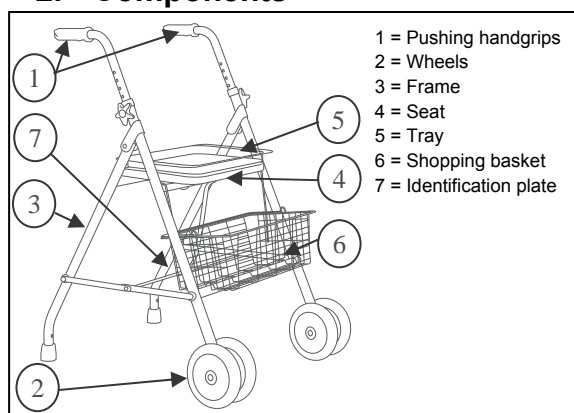
If you have any further questions, please consult your specialist dealer.

To find a service facility or specialist dealer near you, contact the nearest Vermeiren

facility. A list of Vermeiren facilities can be found on the last page.

Visually impaired people can contact the dealer for the instructions for use.

2. Components



3. Explanation of symbols

Maximum mass

CE conformity

Type designation

4. Check after delivery

Unpack your product and verify if the delivery is complete. Following items should be included:

- rollator frame with seat, 4 wheels (mounted) and two tips.
- height adjustable pushing handgrips
- shopping basket, tray
- manual

Verify your product for transport damage. If you find any damages after delivery proceed as follows:

- contact the transporter
- have a list made of any problems
- contact your supplier

5. Intended use

⚠ WARNING: Risk of falling - Do not use the rollator if you have weak arm function or poor equilibrium.

The rollator will compensate the lack of adequate support by the legs by leaning on, or moving with, the rollator with usage of the upper limbs or chest. The rollator will provide a better stability, support and safety during walking.

However, it cannot be used by persons with a visible weakened hand and/or arm function and also not by persons with a balance problem.

The rollator is only for **indoor** use.

The rollator should only be used on smooth surfaces. Avoid wet floors. It is recommended to remove the carpets out rooms where using your rollator. The product is not meant for transport of people and/or goods. The seat can only be used when the rollator stand on stable surfaces.

6. Fold and unfold the rollator (Fig. 1)

⚠ WARNING: Risk of clamping - Keep fingers, buckles and clothes away from the folding mechanism.

1. Folding rollator

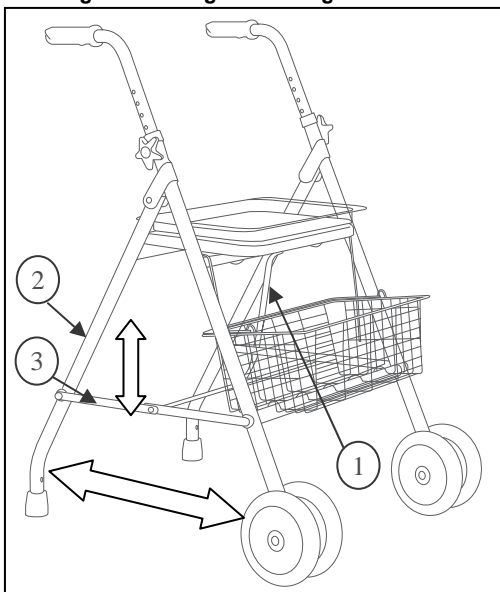
- Remove the tray.
- Lift the seat upwards.
- Remove the shopping basket.
- Pull the black cord ① upwards.
- Push the rear tubes ② forwards against the front tubes to fold the rollator further.

2. Unfolding rollator

- Pull the rear tubes ② backwards to unfold the rollator.
- Push the attachment plates ③ on both sides downwards until these lock in position.
- Lift the seat upwards, if necessary.
- Place the shopping basket on the horizontal tubes were the seat rest on.
- Turn the seat downwards.
- Place the tray.

• **Adjust the pushing handgrips to the desired height (see further).**

Fig. 1 – Folding / Unfolding rollator



7. Assembly

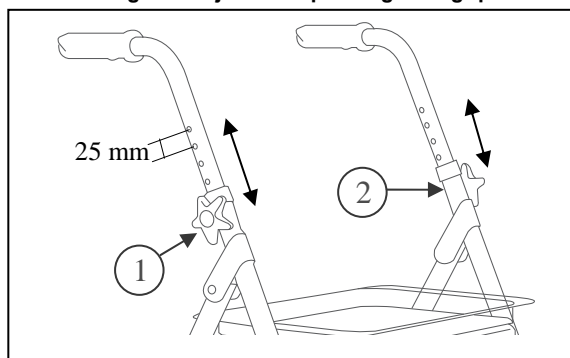
- Slide the pushing handgrips in the front frame.
- Unfold the rollator.
- **Adjust the pushing handgrips to the desired height (see further).**

8. Pushing handgrips (Fig. 2)

⚠ CAUTION: Risk of falling - Secure the handgrips firmly before using the rollator.

⚠ CAUTION: Risk of falling - Do not exceed the maximum height adjustment of the handgrips, your rollator will not be stable anymore.

Fig. 2 – Adjustment pushing handgrips



The pushing handgrips can be adjusted in height by following steps:

- Loosen the star button ①.
- Remove the star button ① completely.
- Remove the bolt ② out the tube.
- Adjust the pushing handgrips to the desired height (7 different positions: steps from 25 mm). When standing straight, the handgrips should be as high as your wrists. Leave your arms hanging loose.
- Replace the bolt ② in the hole of the tube.
- Place the star button ① on the bolt ②.
- Retighten the star button ① firmly by hand.
- Adjust the other pushing handgrip with the same instructions.
- Check that the two pushing handgrips are adjusted with the same height.

9. Basket

⚠ WARNING: Risk of falling, tipping over - Do not overload the shopping basket.

The shopping basket is meant to be mounted on the front side. Mount the shopping basket with the two hooks to the horizontal front tube were the seat rest on.

The maximum carrying weight from the shopping basket is 5 kg.



10. Safety instructions

- Ensure there are no objects blocking the regular usage of the wheels of the rollator.
- Risk of burns – Be careful when driving in hot or cold environments (sunshine, extreme cold, saunas, etc.) for a sufficient amount of time and when touching.
- Before every usage, check that the star buttons for your handgrips are firmly locked.
- Verify if the safety against unwanted folding/unfolding is functioning properly.
- Only proceed moving with your rollator when you are standing comfortably and when both your hands are resting on the pushing handgrips.
- Do not hold the pushing handgrips with wet hands. If you do so, you can lose your grip and lose your balance.
- When you detect that your body is getting tired, stop your rollator by placing the tips on the ground and have a seat on the bench.
- **The maximum users weight for your rollator is 130 kg** and can only be used on a flat underground.
Do not use your rollator on a staircase or bumps higher than 40 mm.
- Avoid roads with a very steep inclination.
- Avoid wet floors.
- Do not use your rollator to transport people or items.
- Take note of the instructions for care and service. The manufacturer is not liable for damage caused by improper servicing/care.

11. Care

It is recommended to use a soapy solution for cleaning. The cleaning liquid should in any case have a pH value of at least 6. Do not use a cleaning agent which contains solvents. Observe the instructions of the cleaning liquid used. Use a damp cloth and lukewarm water for cleaning. Avoid soaking. Do not use metal brushes or any other sharp-edged or pointed cleaning utensils. In the case of damage to the varnish or the woodwork, consult your specialist dealer. Regular care would ensure that your rollator is preserved in a perfectly functional condition.

12. Disinfection

For sterilisation use only disinfectants suitable for treating varnished metal and wood surfaces. Observe the instructions of the cleaning liquid used. Use only proved processes (for scrubbing disinfection) and disinfectants included in the list of the Robert Koch Institute (information can be obtained from: www.rki.de). Disinfections may only be undertaken by trained persons. Consult your specialist dealer.

13. Repairs / Service / Inspection

Lifetime of the rollator is influenced by its use, storage, regular maintenance, servicing and cleaning.

You should use only genuine VERMEIREN replacement parts. Repairs and renovations may only be undertaken by trained persons. Make use of the services offered by your specialist dealer. He would gladly assist you further in regard to service and repairs.

Before you resume use of the rollator, it should be serviced according to the following criteria:

- Completeness
- Folding mechanism
- Check the castors (stability, tracking, fixing screws)
- Frames (deformation, stability, connections)
- Pushing handgrips (safe locking from height adjustment system, good support from the handgrip)
- Seat, shopping basket on wear or damage
- Tips on wear or damage and replace if necessary. To avoid damages on floors.
- Cleaning
- **Damaged varnish (remove possible rust and repaint)**

Every 8 weeks:

- Lubricating (moving parts shall be greased)

Every 6 months or for every new user, it should be serviced according to the following criteria:

- General review
- Disinfection

14. Shipping and storage

The shipping and storage of the rollator shall be according following instructions:

- Store in a dry place (between +5°C and +41°C).
- The relative humidity of the air should be between 30% and 70%.
- Provide sufficient covering or packaging to protect the rollator from rust and foreign bodies (e.g. salt water, sea air, sand, dust).
- The rollator must be stored without being subjected to strains. (Do not put too heavy parts on the rollator, not clamping between something, ...)

15. Warranty

Excerpt from the "General Business Conditions".

(...)

5. The terms of the guarantee may differ from country to country. Consult your specialist dealer for the guarantee period for warranty claims.

(...)

The warranty excludes damage arising from structural changes to our products, insufficient maintenance, defective or improper handling or storage or the use of non-original parts.

Likewise, the warranty excludes parts or working parts subject to natural wear and tear.

16. Disposal

When disposing of the rollator, contact your local disposal centre or return the product to your specialist dealer who, after submitting it to a hygienic procedure, will be able to send it back to the manufacturer who will dispose of and recycle it correctly, separating it into its component materials.

Packaging materials can be taken to disposal or recycling centers or to your specialist dealer.

17. Declaration of conformity

The manufacturer or his authorized representative :

N.V. VERMEIREN N.V

Address :

Vermeirenplein 1/15
2920 Kalmthout
Belgium

declares under his sole responsibility that the CE marked devices :

Productgroup:	Rollators
Productgroup (GMDN):	Walker, foldable (GMDN 37951)
FAMHP (FAGG) registration number:	BE/CA01/11/2-02965-26-CLI
Brand:	Vermeiren
Type:	251, 253, 275, 275BIS, 266, 286B, 286D, 286E, Streeter, 201 // Delta, 4-light, ECO-Light, Quadri-Light

have been classified as class I, according to annex IX MDD 93/42/EEC, rule 1,

and is manufactured in full conformity with the European instructions below - including the latest modifications - and with the national law, that organizes this directions :

Medical devices directive MDD 93/42/EEC: 2007

and is in conformity with the relevant European harmonized standards:

EN 12182: 2012, EN 1985: 1999, EN ISO 11199-2: 2005

MANUEL D'INSTRUCTION

Rollator 253

1. Caractéristiques techniques

⚠ AVERTISSEMENT : Risque de réglages dangereux - N'utilisez que les réglages décrits dans ce manuel.

Marque	Vermeiren
Adresse	Vermeirenplein 1 / 15 B-2920 Kalmthout
Type	Rollator
Modèle	253
Largeur	560 mm
Longueur (déplié)	670 mm
Longueur (plié)	185 mm
Hauteur maximale	915 mm
Hauteur minimale	795 mm
Hauteur d'assise	530 mm
Largeur d'assise	415 mm
Profondeur du siège	250 mm
Poids	4,60 kg
Poids panier	0,25 kg
Poids panier des achats	0,85 kg
Roues	Ø 145 mm x 25 mm
Max. inclinaison avant	15°
Max. inclinaison en arrière	7°
Max. inclinaison en latérale	3,5°
Poids maxi utilisateur	Max. 130 kg
Charge maxi du panier	Max. 5 kg
Rayon de braquage	780 mm
Température de stockage	+5°C - +41°C
Nous nous réservons le droit d'apporter des modifications techniques. Tolérance de mesures ± 15 mm / 1,5 kg / °.	

Nous tenons tout d'abord à vous remercier pour la confiance que vous nous accordez en optant pour un produit **VERMEIREN**.

Avant d'utiliser le Rollator, lisez attentivement le mode d'emploi; il vous permettra de vous familiariser avec la manipulation de ce produit.

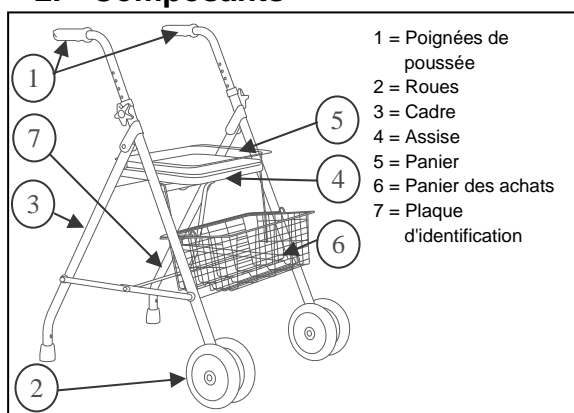
Il contient également des instructions sur l'entretien de votre Rollator. N'oubliez pas que le respect de nos instructions vous permettra de conserver votre Rollator en parfait état de conservation et de fonctionnement, même après des années d'utilisation.

Pour toute question, consultez votre distributeur.

Pour trouver un service d'entretien ou un revendeur spécialisé près de chez vous, contactez l'établissement Vermeiren le plus proche. Vous trouverez une liste des établissements sur la dernière page.

Les personnes souffrant de problèmes visuels peuvent prendre contact avec le revendeur pour les instructions d'utilisation.

2. Composants



3. Explication des symboles

Poids maximum

Conformité CE

Désignation type

4. Contrôle lors de la réception

Déballez le produit et contrôlez si la livraison est complète. Se trouvent dans le paquet:

- Le système de cadre de Rollator avec le siège, les 4 roues (prémontées) et les 2 embouts
- Accoudoirs réglables en hauteur
- Panier des achats, panier
- mode d'emploi

Vérifiez bien que le colis n'ait pas subi de dégâts pendant le transport. Si vous constatez que ce produit ou le colis présente, contre toute attente, des défauts, procédez comme suit:

- Déposez immédiatement une déclaration auprès du transporteur;
- Faites enregistrer les dégâts;
- Informez votre revendeur immédiatement.

5. Utilisation

⚠ AVERTISSEMENT : Risque de chute - N'utilisez pas le Rollator si vous avez les bras fébriles ou des problèmes d'équilibre.

Le Rollator sert à compenser la diminution de la résistance ou de la capacité des extrémités inférieures par l'utilisation de la force ou du soutien des extrémités supérieures ou du tronc, et à assister et assurer la marche. Il ne faut pas utiliser le Rollator pour des personnes qui souffrent d'une réduction des

fonctions des mains/bras ou d'importants troubles de l'équilibre.

Le Rollator est destiné à une utilisation **en intérieur**.

Le Rollator peut seulement être utilisée sur des surfaces horizontales. Évitez les sols humides.

Il est recommandé de retirer les tapis des pièces où est utilisé le rollator.

Le produit ne peut être utilisé pour transporter des personnes et/ou des objets. L'assise peut être utilisée uniquement quand le rollator est sur une surface stable.

6. Plier et déplier le rollator (Fig. 1)

⚠ AVERTISSEMENT : risque de coincement – Maintenez vos doigts, boucles (de ceinture) et vêtements à l'écart du mécanisme de pliage.

1. Pliez le Rollator

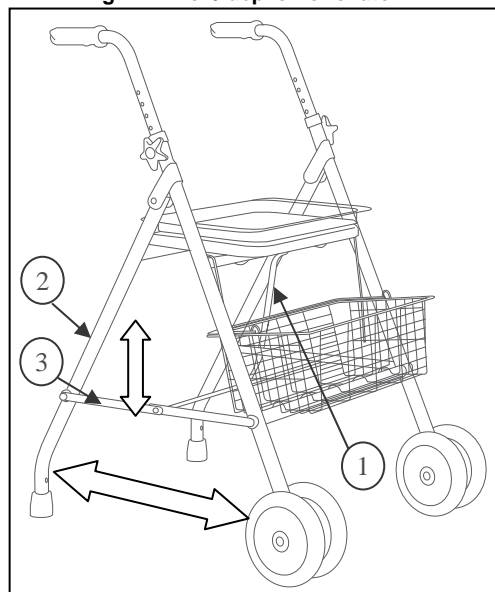
- Enlevez le panier.
- Soulevez l'assise vers le haut.
- Enlevez le panier des achats.
- Tirez le cordon noire ① vers le dessus.
- Poussez les tubes arrière ② vers l'avant contre les tubes avant pour plier complètement le rollator.

2. Dépliez le rollator

- Tirez les tubes avant ② vers l'arrière pour déplier le rollator.
- Poussez les plaques de fixation ③ des deux côtés vers le bas jusqu'à ce qu'elles se bloquent en position.
- Soulevez l'assise vers le haut, si nécessaire.
- Placez le panier à provision sur les tubes horizontaux qui supportent le panier des achats.
- Tournez l'assise vers le bas.
- Placez le panier.

- **Ajustez les poignées de poussée à la hauteur souhaitée (voir ci-après).**

Fig. 1 – Plier / déplier le rollator



7. Montage

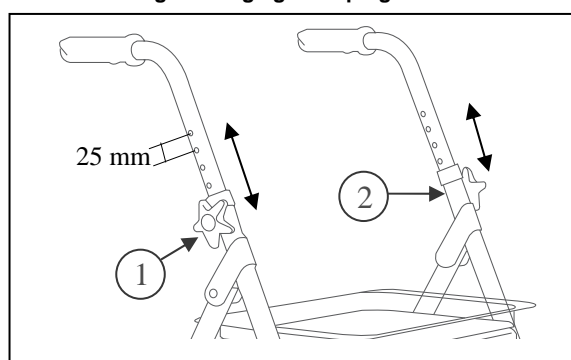
- Glissez les poignées de poussée dans le châssis avant.
- Dépliez le rollator.
- **Ajustez les poignées de poussée à la hauteur souhaitée (voir ci-après).**

8. Poignées de poussée (Fig. 2)

⚠ ATTENTION : Risque de chute - Fixez fermement les poignées avant d'utiliser le rollator.

⚠ ATTENTION : risque de chute - Ne dépassez pas le réglage de la hauteur maximale des poignées de poussée, car votre rollator ne sera plus stable.

Fig. 2 – Réglage des poignées



Suivez la procédure ci-dessous pour ajuster la hauteur des poignées de poussée :

- Desserrez le bouton à croisillon ①.
- Enlevez complètement le bouton à croisillon ①.
- Enlevez le boulon ② du tube.
- Ajustez la poignée de poussée à la hauteur souhaitée (7 positions différentes: écarts de 25 mm). Quand vous êtes debout, les poignées doivent

arriver à hauteur de vos poignets. Pour ce faire, laissez vos bras pendre.

- Remplacez le boulon ② dans le trou du tube.
- Placez le bouton à croisillon ① sur le boulon ②.
- Resserrez fermement à main le bouton à croisillon ①.
- Ajustez l'autre poignée de poussée en suivant la même procédure.
- Contrôlez si les deux poignées de poussée sont bien à la même hauteur.

9. Panier des achats

⚠ AVERTISSEMENT : Risque de chute, risque de basculement - Ne surchargez pas le panier des achats.

Le panier des achats doit être monté par l'avant. À l'aide des deux crochets, installez le panier à provisions sur les tubes avant horizontaux qui supportent le siège.

La charge maxi supportée par le panier est de 5kg.

10. Consignes de sécurité

- Vérifiez qu'il n'y ait pas de objets dans les surfaces de roulement des roues.
- Risque de brûlures – Soyez prudents lorsque vous conduisez dans des environnements chauds ou froids (soleil, froid extrême, saunas, etc.) de disposer d'assez de temps et lors des contacts.
- Vérifiez que le bouton étoile des poignées coulissantes soit serré avant d'utiliser le Rollator.
- Vérifiez que la sécurité pour le pliage/dépliage involontaire du cadre de marche soit bien enclenchée.
- Ne commencez à avancer que lorsque vous êtes bien droit et que vous avez saisi les poignées avec vos deux mains.
- Ne saisissez pas les poignées si vous avez les mains humides - elles pourraient glisser et vous faire perdre prise.
- Si vous ressentez de la fatigue pendant que vous marchez, placez les embouts sur le sol et asseyez-vous sur le siège.
- **Le produit supporte une charge maximale de 130 kg** et ne peut être utilisé que sur des chemins plats.
N'empruntez pas avec votre Rollator des escaliers ou des paliers dont la hauteur dépasse 40 mm max.
- Évitez d'utiliser le Rollator sur des chemins à forte pente montante ou descendante.
- Évitez les sols humides.
- N'utilisez pas votre Rollator pour transporter des objets ou des personnes (siège).

- Suivez les instructions pour les soins et le contrôle. Le fabricant n'offre aucune garantie si le siège si celui-ci n'est pas utilisé conformément à sa destination et si les contrôles mentionnés dans le mode d'emploi n'ont pas été effectués.

11. Entretien

Pour le nettoyage, il est préférable d'utiliser une solution savonneuse. Dans tous les cas, le produit de nettoyage doit avoir un pH de 6 min. N'utilisez pas de produits de nettoyage contenant du dissolvant. Suivez les instructions fournies avec le produit d'entretien. Pour le nettoyage, utilisez un chiffon humide et de l'eau tiède. Évitez de nettoyer à grandes eaux. N'utilisez pas de brosses métalliques ou autres ustensiles de nettoyage à arêtes vives ou pointus. S'il y a des dégâts sur la peinture ou le revêtement, adressez-vous à votre revendeur. Un entretien régulier permet de garder votre Rollator en parfait état.

12. Désinfection

Pour la désinfection, utilisez uniquement les produits désinfectants pour les métaux et les surfaces en bois peints. Suivez les instructions fournies avec le produit d'entretien. La désinfection par brossage ne peut être effectuée qu'avec les solutions de produit désinfectant et les dilutions d'utilisation reprises dans les recommandations du Robert-Koch Institut (www.rki.de). La désinfection ne peut être effectuée que par un spécialiste en hygiène ou par une personne formée par un tel spécialiste. Contactez votre revendeur.

13. Réparation / entretien / inspection

La durée de vie du Rollator est influencée par son utilisation, de son stockage, de sa maintenance régulière, de l'entretien et du nettoyage.

Utilisez uniquement des pièces d'origine VERMEIREN. Les réparations et les dépannages ne peuvent être effectués que par un personnel formé à cet effet. Utilisez le service après-vente de votre revendeur. Il vous aidera volontiers lors de l'entretien et de la réparation.

Avant tout déplacement, votre Rollator doit faire l'objet d'une inspection. Les critères suivants sont à contrôler à cette occasion:

- Le produit doit être complet
- Mécanisme pliant
- Contrôle des roues (stabilité, soutien, alignement, fixations)
- Cadre (déformation, stabilité statique, fixations par vis)
- Poignées de poussée (blocage de la sécurité du réglage en hauteur, bon soutien des poignées coulissantes)
- Siège et le panier des achats doivent être contrôlés pour les dommages
- Les embouts doivent être contrôlés pour vérifier l'usure et les dommages et remplacés si nécessaire. Cela évite également des dégâts au niveau des sols:
- Nettoyage
- **Dégâts sur la peinture (éliminer les points de rouille et retoucher la peinture)**

Toutes les 8 semaines :

- Graissage (les liaisons mobiles doivent être graissées)

Tout les 6 mois ou pour tout nouvel utilisateur les points suivants doivent être respectés:

- Révision générale
- Désinfection

14. Expédition et stockage

Respectez les instructions suivantes pour l'emballage ou le stockage du Rollator :

- Stocker uniquement dans des endroits secs (entre +5°C et +41°C).
- À une humidité relative de 30 % à 70 %.
- Utilisez suffisamment de protections ou emballages pour mettre les béquilles à l'abri de la rouille et des corps étrangers (Par exemple eau salée, air salin, sable, poussière).
- Tous les composants doivent être conservés sans la moindre charge. (ne pas placer d'objets trop lourds sur le Rollator, ne rien insérer entre les éléments...)

15. Garantie

Extrait des conditions générales de vente :

(...)

5. Les conditions de garantie sont susceptibles de varier d'un pays à l'autre. Consultez votre spécialiste pour la durée de garantie.

(...)

La garantie exclut les dommages liés à des modifications structurelles apportées à nos produits, à une maintenance insuffisante, à une manipulation ou un stockage défectueux ou inappropriés ou à l'utilisation de pièces autres que les pièces d'origine.

Par ailleurs, la garantie exclut les pièces ou pièces de travail soumises à une usure naturelle.

16. Mise au rebut

Lors de la mise au rebut du Rollator, contactez votre centre de collecte local ou retournez le produit à votre distributeur. Après un nettoyage hygiénique, celui-ci peut renvoyer le Rollator au fabricant et de son recyclage adapté, en séparant les différents matériaux entrant dans sa composition. Les emballages peuvent être déposés dans des centres de collecte ou de recyclage ou après de votre distributeur.

17. Déclaration de conformité

Le fabricant ou son mandataire :

N.V. VERMEIREN N.V.

Adresse :

Vermeireplein 1/15
2920 Kalmthout
Belgique

déclare sous sa propre responsabilité, que les dispositifs avec marquage CE :

Produit groupe:	Rollators
Produit groupe (GMDN):	Cadre de marche, pliant (GMDN 37951)
AFMPS (FAGG) numéro	
d'immatriculation:	BE/CA01/11/2-02965-26-CL1
Marque:	Vermeiren
Type:	251, 253, 275, 275BIS, 266, 266B, 266D, 266E, Streeter, 201 // Delta, 4-light, ECO-Light, Quadri-Light

sont classés dans la classe I, suivant l'annexe IX 93/42/CEE, règle 1,

et ont été fabriqués en complète concordance avec les directives sous-mentionnées - y compris les dernières modifications - et avec la loi nationale qui organise ces directives :

Dispositifs médicaux directive 93/42/CEE: 2007

et sont conforme aux normes harmonisées européennes pertinentes :

EN 12182: 2012, EN 1985: 1999, EN ISO 11199-2: 2005

INSTRUCTIE HANDLEIDING

Rollator 253

1. Technische gegevens

⚠ WAARSCHUWING: Risico bij onveilige instellingen - Gebruik enkel de instellingen beschreven in deze handleiding.

Merk	Vermeiren	
Adres	Vermeirenplein 1 / 15 B-2920 Kalmthout	
Type	Rollator	
Model	253	
Breedte	560 mm	
Lengte (ontvouwen)	670 mm	
Lengte (opgevouwen)	185 mm	
Maximum hoogte	915 mm	
Minimum hoogte	795 mm	
Zithoogte	530 mm	
Zitbreedte	415 mm	
Zitdiepte	250 mm	
Gewicht	4,60 kg	
Gewicht bakje	0,25 kg	
Gewicht mandje	0,85 kg	
Wielen	Ø 145 mm x 25 mm	
Max. helling voorwaarts	15°	
Max. helling achterwaarts	7°	
Max. helling zijwaarts	3,5°	
Maximum gebruikersgewicht	max. 130 kg	
Maximum gewicht mandje	max. 5 kg	
Draaicirkel	780 mm	
Opslag temperatuur	+5°C - +41°C	
We behouden ons het recht voor om technische wijzigingen te introduceren. Meettolerantie ± 15 mm / 1,5 kg / °		

We willen U danken voor het vertrouwen dat U in de producten van **VERMEIREN** stelt.

Voor U de rollator gebruikt, dient U de handleiding aandachtig te lezen zodat U vertrouwd raakt met het product.

Daarnaast bevat deze handleiding tips voor het verzorgen en onderhouden van de rollator. Houd er rekening mee dat bij het naleven van onze adviezen Uw rollator ook na jaren gebruik nog in perfecte staat is en perfect functioneert.

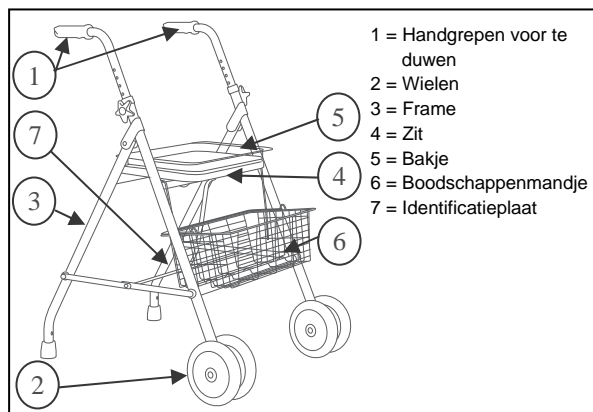
Als U nog vragen hebt, neemt U best contact op met Uw vakhandelaar.

Om een servicepunt of vakhandelaar in Uw buurt te vinden, neemt U contact op met de

dichtstbijzijnde Vermeiren faciliteit. Een lijst van de Vermeiren faciliteiten zijn terug te vinden op de laatste bladzijde.

Mensen met een visuele beperking kunnen contact opnemen met de vakhandelaar voor de gebruikersinstructies.

2. Onderdelen



3. Gebruikte symbolen



Maximum gewicht



CE conformiteit



Type aanduiding

4. Controle bij ontvangst

Pak het product uit en controleer of de levering volledig is. In het pakket zitten:

- rollator frame met zitje, 4 wielen (gemonteerd) en 2 doppen
- in hoogte verstelbare handgrepen
- boodschappenmandje, bakje
- handleiding

Controleer de zending zorgvuldig op transportschade. Wanneer U vaststelt dat het product na de zending toch een defect vertoont, moet U het volgende doen:

- Neem contact op met de transporteur.
- Laat een verslag opmaken van de schade
- Neem direct contact op met de vakhandelaar

5. Gebruik

⚠ WAARSCHUWING: Gevaar op vallen - Gebruik de rollator niet als Uw armen zwak functioneren of bij een slecht evenwicht.

Door met de bovenste ledematen of de romp op de rollator te steunen of deze te verschuiven, compenseert de rollator de verminderde belastbaarheid of de kracht van de onderste ledematen. Bovendien zorgt deze voor een betere steun en veiligheid bij het gaan.

De rollator mag niet worden gebruikt door mensen met een duidelijk verzwakte hand-/arm functie of met duidelijke evenwichtsstoornissen.

De rollator kan enkel **binnenshuis** gebruikt worden.

Gebruik de rollator enkel op vlakke ondergronden. Vermijd natte vloeren.

Het is aangeraden om tapijten, uit de kamers waar de rollator wordt gebruikt, te verwijderen.

Het product mag evenmin worden gebruikt voor het transporteren van personen en/of goederen. Het zitje dient enkel gebruikt te worden als de rollator op een stabiele ondergrond staat.

6. Op- en openvouwen van de rollator (Fig. 1)

⚠ WAARSCHUWING: Risico op klemmen
 - Houd uw vingers, gespen en kledij uit de buurt van het vouwmechanisme.

1. Opvouwen rollator

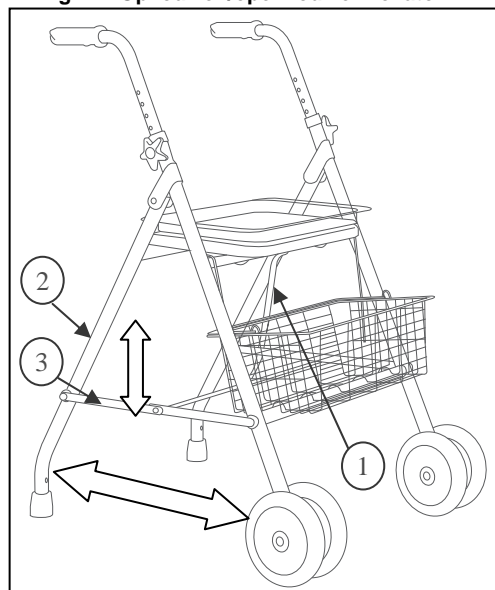
- Verwijder het bakje.
- Til de zit naar boven.
- Verwijder het boodschappenmandje.
- Trek de zwarte koord ① naar boven.
- Duw de achterste buizen ② naar voren tegen de voorste buizen om de rollator verder op te vouwen.

2. Openvouwen rollator

- Trek de achterste buizen ② naar achteren om de rollator open te vouwen.
- Duw de bevestigingsplaten ③ aan beide kanten naar boven tot deze terug in de juiste positie vast staan.
- Til de zit naar boven, indien nodig.
- Plaats het boodschappenmandje op de horizontale buizen waar het mandje op steunt.
- Draai de zit naar beneden.
- Plaats het bakje.

- **Verstel de handgrepen naar de gewenste hoogte (zie verder).**

Fig. 1 – Opvouwen/openvouwen rollator



7. Montage

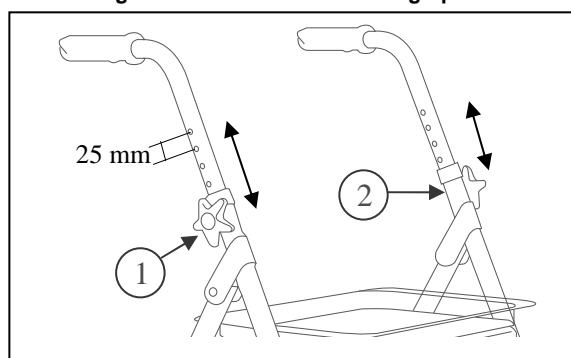
- Schuif de handgrepen in het voorste frame.
- Vouw de rollator open.
- **Verstel de handgrepen naar de gewenste hoogte (zie verder).**

8. Handgrepen voor te duwen (Fig. 2)

⚠ VOORZICHTIG: Gevaar op vallen - Maak de handgrepen voor gebruik steeds stevig vast.

⚠ VOORZICHTIG: Gevaar op vallen - Zet de handgrepen nooit boven de maximum verstelhoogte, anders wordt de rollator onstabiel.

Fig. 2 – Verstelen van de handgrepen



De handgrepen voor te duwen kunnen met volgende instructies worden versteld:

- Maak de sterknop ① los.
- Verwijder de sterknop ① volledig.
- Verwijder de bout ② uit de buis.

- Verstel de handgrepen voor te duwen naar de gewenste hoogte (7 verschillende posities: stappen van 25 mm). Als U recht staat, moeten de handgrepen ter hoogte van Uw pols komen. Laat hierbij de armen losjes hangen.
- Plaats de bout ② terug in de boring van de buis.
- Plaats de sterknop ① op de bout ②.
- Draai de sterknop ① terug goed vast met de hand.
- De andere handgreep kan met dezelfde instructies worden versteld.
- Controleer dat de twee handgrepen op dezelfde hoogte zijn ingesteld.

9. Mandje

⚠ WAARSCHUWING: Gevaar op vallen, kantelgevaar- Overlaad het boodschappenmandje niet.

Het boodschappenmandje wordt vooraan gemonteerd. Monteer het boodschappenmandje met de twee haken aan de voorste horizontale buizen waar het zitje op ligt.

Het maximum draaggewicht van het mandje is 5 kg.

10. Veiligheidsinstructies

- Let erop dat er geen voorwerpen in de loopvlakken van de wielen zitten, en deze kunnen blokkeren.
- Gevaar voor brandwonden – Wees voorzichtig bij het rijden in extreem warme of koude omgevingen (zon, extreme koude, sauna's, enz.) voor een bepaalde tijd en bij het aanraken.
- Controleer voor ieder gebruik of de sterknoppen van de handgrepen goed zijn aangedraaid.
- Controleer of de beveiliging tegen ongewild opvouwen/opeenvouwen is geblokkeerd.
- Zet pas de eerste stappen wanneer U goed rechtstaat en met beide handen de handgrepen stevig hebt vastgenomen.
- De handgrepen niet met natte handen vastnemen. Anders kan U wegglijden en het evenwicht verliezen.
- Wanneer U bij het stappen vaststelt dat U moe wordt, plaatst U de doppen op de grond en gaat U even op het zitje zitten.
- **Het product mag met max. 130 kg worden belast** en mag alleen op een vlakke ondergrond worden gebruikt.
Rij met de rollator niet op trappen of op een opstapje dat hoger is dan 40 mm.
- Vermijd sterk hellende wegen.

- Vermijd natte vloeren.
- Gebruik de rollator niet om voorwerpen of personen (zitvlak) te transporteren.
- Volg de instructies voor verzorging en controles. De fabrikant is niet aansprakelijk voor schade die werd veroorzaakt door niet juiste controles / verzorging.

11. Verzorging

Voor het reinigen gebruikt U best een zeepoplossing. Het reinigingsmiddel moet in ieder geval een pH-waarde van min. 6 hebben. Gebruik geen reinigingsmiddelen op basis van oplosmiddelen. Volg de aanwijzingen op de betreffende verzorgingsmiddelen. Voor het reinigen gebruikt U een vochtige doek en lauw water. Maak het product niet te nat. Gebruik geen metaalborstels of andere scherpe reinigingsmiddelen. Bij schade aan de lak of de bekleding dient U contact op te nemen met de vakhandelaar. Door een regelmatig onderhoud blijft de rollator perfect functioneren.

12. Desinfecteren

Voor het desinfecteren gebruik alleen desinfecteermiddelen voor geschilderde metalen en houtoppervlakken. Volg de aanwijzingen op de betreffende verzorgingsmiddelen. De schuurdesinfectie mag alleen worden gebruikt met de desinfecteeroplossingen en de gebruiksverduunningen die zijn aanbevolen door het Robert-Koch-Instituut (www.rki.de). De desinfectie mag alleen door een geschoolde sanitaire medewerker of een door hem/haar opgeleide persoon worden uitgevoerd. Neem contact op met de vakhandelaar.

13. Reparatie / Onderhoud / Inspectie

De verwachte levensduur van de rollator wordt beïnvloed door het gebruik, opslag, regelmatig onderhoud en schoonmaak.

Gebruik alleen originele onderdelen van VERMEIREN. Reparaties mogen alleen door speciaal opgeleid personeel worden uitgevoerd. Maak gebruik van de services van de vakhandelaar. Hij helpt U graag bij het onderhouden en repareren van onze producten.

Voor elk gebruik moet Uw rollator worden geïnspecteerd. Hierbij moeten de volgende punten worden gecontroleerd:

- Volledigheid
- Vouwmechanisme
- Controle van de wielen (stabiliteit, spoor, bevestigingsschroeven)
- Frame (vervorming, stabiliteit, bevestigingen)
- Handgrepen voor te duwen (veilige blokkering van de hoogte verstelling, goede steun van de handgrepen)
- Zit, boodschappenmandje controleren op beschadigen.
- Doppen op slijtage of beschadiging en vervang indien nodig. Om schade aan vloeren te vermijden.
- Schoonmaken
- **Lakschade (eventuele roestplekken verwijderen en met lak behandelen)**

Om de 8 weken:

- Smering (bewegende verbindingen moeten zijn ingevet)

Elke 6 maanden of voor elke nieuwe gebruiker moeten volgende punten geïnspecteerd worden:

- Algemeen nazicht
- Desinfecteren

14. Verpakking en opslag

Om de rollator te verpakken of te bewaren dienen volgende instructies te worden gevolgd:

- Alleen in droge ruimtes opslagen (tussen +5°C en +41°C).
- De relatieve luchtvochtigheid van 30% tot 70%.
- Beschermen door voldoende afdekking of verpakking tegen roest en binnendringen van vreemde voorwerpen (bijv. zout water, zeelucht, zand, stof).
- Alle componenten moeten onbelast worden bewaard. (geen te zware voorwerpen op de rollator onderdelen leggen, nergens tussen klemmen, ...).

15. Garantie

Uittreksel uit de "Algemene bedrijfsvoorwaarden":

(...)

5. De garantievoorwaarden kunnen van land tot land verschillen. Raadpleeg Uw vakhandelaar voor de verjaringstermijn voor garantie aanspraken.

(...)

Wij zijn niet aansprakelijk voor schade die ontstaat door constructieve wijzigingen aan onze producten, gebrekkig onderhoud, gebrekkige of onoordeelkundige behandeling of bewaring of gebruik van niet-originele wisselstukken.

De garantie op slijtagedelen of onderdelen die onderhevig zijn aan een natuurlijke slijtage, is eveneens uitgesloten.

16. Afvalverwerking

Als U de rollator wilt wegdoen, stelt U zich in verbinding met de plaatselijke verantwoordelijken of bezorgt U het product terug bij de vakhandel. Deze kan, na hygiënische reiniging, de rollator aan de fabrikant terugsturen. De fabrikant kan voor vakkundige verwerking en hergebruik (gescheiden naar grondstof) zorg dragen. Verpakkingsmateriaal kan bij de betreffende verwerkingsplaatsen en hergebruik instellingen of bij Uw vakhandelaar afgegeven worden.

17. Verklaring van overeenstemming

De fabrikant of zijn gevolmachtigde vertegenwoordiger :

N.V. VERMEIREN N.V

Adres :

Vermeirenplein 1/15

2920 Kalmthout

België

verklaart geheel onder zijn eigen verantwoordelijkheid, dat de CE gemarkeerde hulpmiddelen :

Productgroep : Rollatoren

Productgroep (GMDN): Looprek, opvouwbaar (GMDN 37951)

FAGG registratie nummer: BE/CA01/11/2-02965-26-CLI

Merk : Vermeiren

Type : 251, 253, 275, 275BIS, 266, 286B, 286D, 286E, Streeter, 201 // Delta, 4-light, ECO-Light, Quadri-Light

zijn geklassificeerd als klasse I, volgens bijlage IX MDD 93/42/EEG, regel 1,

en vervaardigd zijn in volledige overeenstemming met de onderstaande Europese richtlijnen - inclusief de laatste wijzigingen - en met de nationale wet, die deze richtlijnen organiseert :

Medische hulpmiddelen richtlijn MDD 93/42/EEG: 2007

en in overeenstemming zijn met de relevante Europese geharmoniseerde normen :

EN 12182: 2012, EN 1985: 1999, EN ISO 11199-2: 2005

GEBRAUCHSANWEISUNG

Rollator 253

1. Technische Daten

⚠️ WARNUNG: Nutzen Sie das Produkt nur gemäß den technischen Vor- und Angaben dieser Gebrauchsanweisung.

Hersteller	Vermeiren	CE
Adresse	Vermeirenplein 1/15 B-2920 Kalmthout	
Typ	Rollator	
Modell	253	
Breite	560 mm	
Länge (ausgeklappt)	670 mm	
Länge (zusammengeklappt)	185 mm	
Maximale Höhe	915 mm	
Mindesthöhe	795 mm	
Sitzhöhe	530 mm	
Sitzbreite	415 mm	
Sitztiefe	250 mm	
Gewicht	4,60 kg	
Gewicht Ablage	0,25 kg	
Gewicht Korb	0,85 kg	
Räder	Ø 145 mm x 25 mm	
Max. Neigung nach vorn	15°	
Max. Neigung rückwärts	7°	
Max. Neigung seitwärts	3,5°	
Max. zulässiges Patientengewicht	max. 130 kg	
Max. Belastung Korb	max. 5 kg	
Wenderadius	780 mm	
Temperaturbereich für Lagerung	+5°C - +41°C	
Technische Änderungen vorbehalten. Maßtoleranz ± 15 mm / 1,5 kg / °.		

Zunächst möchten wir uns für das Vertrauen bedanken, das Sie in uns gesetzt haben, indem Sie sich für ein **VERMEIREN**-Produkt entschieden haben.

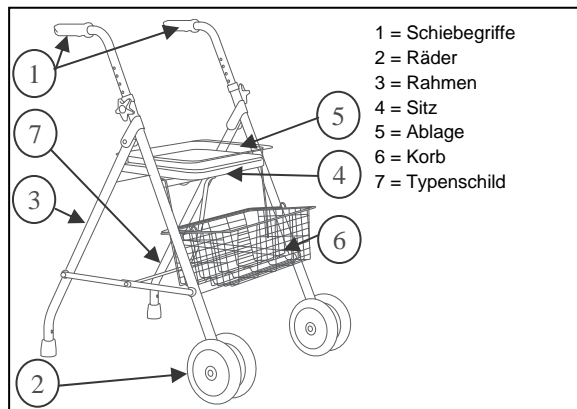
Lesen Sie vor dem Gebrauch des Rollators gründlich die Gebrauchsanweisung; sie soll Sie im Umgang mit diesem Produkt vertraut machen.

Außerdem enthält sie auch Hinweise zur Pflege und Wartung Ihres Rollators. Bitte bedenken Sie, dass die Beachtung unserer Hinweise Ihren Rollator auch nach Jahren des Gebrauchs in ausgezeichnetem Erhaltungszustand und einwandfreier Funktion bewahrt.

Sollten Sie weitere Fragen haben, wenden Sie sich bitte an Ihren Fachhändler.

Um einen Fachhändler in Ihrer Nähe zu finden, stehen Ihnen unsere Niederlassungen gerne zur Verfügung. Eine Auflistung aller Vermeiren Niederlassungen finden Sie auf der letzten Seite dieser Gebrauchsanweisung. Sehbehinderte können sich zur Erläuterung der Bedienungsanleitung an den Händler wenden.

2. Bauteile



3. Zeichenerklärung



Max. zulässiges Gewicht



CE-Konformität



Typenbezeichnung

4. Prüfungen nach der Lieferung

Packen Sie Ihr Produkt aus und überprüfen Sie, ob die Lieferung vollständig ist. Zum Lieferumfang gehören:

- Rollatorrahmensystem inkl. Sitzbank, 4 Räder (vormontiert) und Zwei Gummifuße
- Höhenverstellbare Schiebegriffe
- Einkaufskorb, Ablage
- Gebrauchsanweisung

Prüfen Sie die Sendung sorgfältig auf Transportschäden. Sollten Sie feststellen, dass dieses Produkt oder die Sendung wider Erwarten einen Fehler aufweist, so verfahren Sie wie folgt:

- Wenden Sie sich an den Frachtführer.
- Lassen Sie den Schaden protokollieren,
- Informieren Sie Ihren Fachhändler unverzüglich.

5. Zweckbestimmung

⚠️ WARNUNG: Sturzrisiko - Nutzen Sie den Rollator nicht, bei geschwächten Armen oder starken Gleichgewichtsstörungen.

Der Rollator dient zum Ausgleich der verminderten Belastbarkeit oder Leistungsfähigkeit der unteren Extremitäten durch Kraft-/Abstützungseinsatz der oberen Extremitäten oder des Rumpfes und dient der Unterstützung und Sicherung des Gehens. Das Rollator verbessert Stabilität, Unterstützung und Sicherheit beim aufrechten Gehen.

Nicht einzusetzen ist der Rollator für Personen mit deutlichen Einschränkungen der Hand-/Armfunktionen oder mit ausgeprägten Balancestörungen.

Der Rollator ist für die Verwendung in **Innenräumen** vorgesehen.

Der Rollator soll nur auf flachen Untergründen genutzt werden! Vermeiden Sie feuchte oder nasse Untergründe. Wir empfehlen Ihnen in den Räumen, in denen Sie die Gehhilfe nutzen Teppiche zu entfernen.

Das Gehgestell dient nicht dem Personentransport oder dem Transport von Gegenständen. Setzen Sie sich nur auf den Sitz der Gehhilfe, wenn diese auf festem Grund und stabil steht.

6. Zusammen- und Aufklappen des Rollators (Abb. 1)

⚠️ WARNUNG: Einklemmgefahr - Halten Sie Finger, Schnallen und Kleidung vom Klappmechanismus fern.

1. Zusammenklappen des Rollators

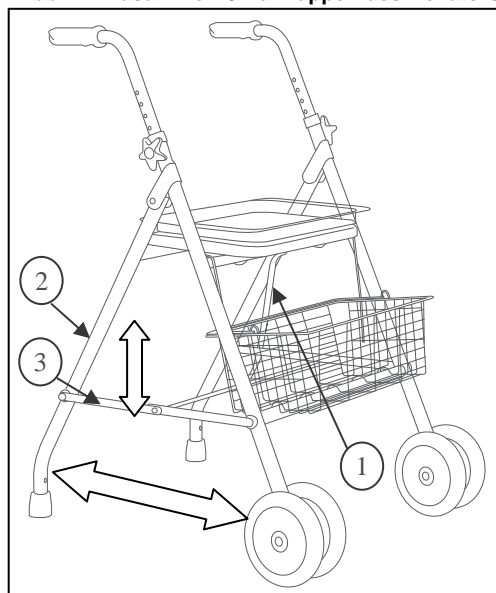
- Bauern Sie den Ablage ab.
- Heben Sie den Sitz an.
- Nehmen Sie den Einkaufskorb ab.
- Ziehen Sie den schwarze Band ① nach oben.
- Schieben Sie die hinteren Rohre ② nach vorne gegen die vorderen Rohre, um den Rollator weiter zusammenzuklappen.

2. Aufklappen des Rollators

- Ziehen Sie die hinteren Rohre ② zum Aufklappen des Rollators nach hinten.
- Drücken Sie die Befestigungsplatten ③ auf beiden Seiten nach unten, bis sie einrasten.
- Heben Sie den Sitz, falls erforderlich, an.
- Stellen Sie den Einkaufskorb auf die horizontalen Rohre, auf denen der Sitz aufliegt.
- Bewegen Sie den Sitz nach unten.
- Bauern Sie den Ablage ab.

- Stellen Sie die Schiebegriffe auf die gewünschte Höhe ein (siehe unten).

Abb. 1 – Zusammen- / Aufklappen des Rollators



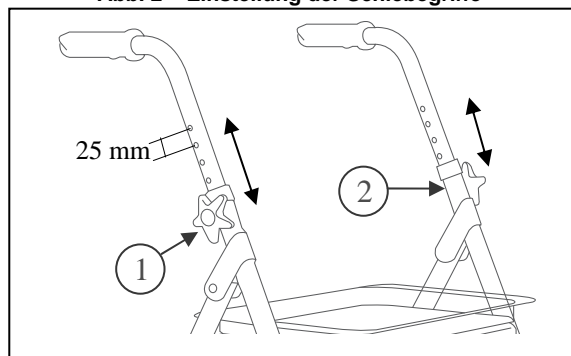
7. Montage

- Schieben Sie die Schiebegriffe in das vordere Gestell.
- Klappen Sie den Rollator auf.
- Stellen Sie die Schiebegriffe auf die gewünschte Höhe ein (siehe unten).

8. Schiebegriffe (Abb. 2)

- ⚠️ VORSICHT: Sturzgefahr - Sorgen Sie vor der Verwendung des Rollators für eine feste Fixierung der Griffe.**
- ⚠️ VORSICHT: Sturzgefahr - Beachten Sie die maximale Höheneinstellung Ihrer Handgriffe, andernfalls ist Ihr Rollator nicht mehr stabil.**

Abb. 2 – Einstellung der Schiebegriffe



Die Handgriffe lassen sich in folgenden Schritten auf die richtige Höhe einstellen:

- Lösen Sie das Sternrad ①.
- Entfernen Sie den Sternknopf ① vollständig.
- Entfernen Sie die Schraube ② aus dem Rohr.

- Stellen Sie den Schiebegriff auf die gewünschte Höhe ein (7 verschiedene Positionen in 25mm-Schritten. (Bei aufrechtem Stehen sollten die Griffe in Höhe Ihrer Handgelenke stehen). Lassen Sie dazu Ihre Arme locker nach unten hängen.
- Schieben Sie die Schraube ② wieder in die Bohrung des Rohres.
- Schieben Sie den Sternknopf ① auf die Schraube ②.
- Ziehen Sie den Sternknopf ① von Hand kräftig an.
- Stellen Sie den anderen Schiebegriff auf die gleiche Weise ein.
- Überprüfen Sie, dass die beiden Griffe auf die gleiche Höhe eingestellt wurden.

9. Korb

⚠️ WARNUNG: Kippgefahr – Überladen **Sie nicht den Einkaufskorb.**

Der Einkaufskorb ist nur zum Anbau an der Vorderseite gedacht. Befestigen Sie den Einkaufskorb mit den Zwei Haken an den Vorder horizontalen Rohren, auf denen der Sitz aufliegt.

Die maximale Zuladung des Korbes beträgt max. 5 kg.

10. Sicherheitsanweisungen

- Achten Sie darauf, dass sich Gegenstände in den Laufflächen der Räder befinden.
- Verbrennungsgefahr: Seien Sie vorsichtig, wenn Sie den Rollator nach längerem Fahren in heißer oder kalter Umgebung (direkte Sonne, extreme Kälte, Sauna usw.) berühren.
- Stellen Sie sicher, dass die Sternräder von die Schiebegriffe vor der Nutzung fest montiert wurden.
- Überzeugen Sie sich, dass der Arretierungspin gegen unbeabsichtigtes Zusammenfallen des Gehgestells immer eingerastet ist.
- Beginnen Sie erst mit dem Laufen, wenn Sie aufrecht stehen und beide Hände die Handgriffe erfasst haben.
- Fassen Sie die Handgriffe nicht mit nassen Händen an. Sie könnten abrutschen und den Halt verlieren.
- Sollten Sie während der Nutzung feststellen, dass Sie ermüden, stellen Sie die Gehhilfe stabil ab (die hinteren 2 Füße müssen gleichzeitig auf festem Grund stehen) und setzen Sie sich zum Ausruhen auf den Sitz.

- **Das Produkt darf mit max. 130 kg belastet werden** und nur auf ebenen Wegen benutzt werden.

Befahren Sie mit Ihrem Rollator keine Treppen oder Stufen, die höher als max. 40 mm sind.

- Vermeiden Sie die Benutzung auf stark ansteigenden Wegen oder auf Wegen, die starkes Gefälle haben.
- Vermeiden Sie feuchte oder nasse Untergründe.
- Verwenden Sie Ihren Rollator nicht zum Transport von Gegenständen oder Personen (Sitzfläche).
- Achten Sie auf die Pflege- und Wartungshinweise. Bei Schäden durch mangelnde Wartung/Pflege haftet der Hersteller nicht.

11. Pflege

Zum Reinigen verwenden Sie am besten eine Seifenlösung. Das Reinigungsmittel sollte in jedem Fall einen pH-Wert von min. 6 aufweisen. Verwenden Sie keine lösungsmittelhaltigen Reinigungsmittel. Beachten Sie die Hinweise der jeweiligen Desinfektionsmittel. Zur Reinigung verwenden Sie bitte ein feuchtes Tuch und lauwarmes Wasser. Vermeiden Sie eine Durchnässung. Verwenden Sie keine Metallbürsten oder andere scharfkantige oder spitze Reinigungsutensilien. Bei Lackschäden oder Holzschäden wenden Sie sich an Ihren Fachhändler. Regelmäßige Pflege erhält Ihren Rollator in einem einwandfreien und funktionstüchtigen Zustand.

12. Desinfektion

Zur Desinfektion verwenden Sie nur Desinfektionsmittel, die für die Behandlung von lackierten Metalloberflächen und Holzoberflächen geeignet sind. Beachten Sie die Hinweise der jeweiligen Desinfektionsmittel. Verwenden Sie nur validierte Verfahren (Scheuerdesinfektion) und Desinfektionsmittel nach den Angaben des Robert-Koch-Institutes (Info über: www.rki.de). Eine Desinfektion darf nur von dafür geschultem Personal durchgeführt werden. Wenden Sie sich an Ihren Fachhändler.

13. Reparatur / Wartung / Inspektion

Die Lebenszeit des Rollators hängt ab von der Art der Nutzung, der Einlagerung, regelmäßigen Kontrollen, Service und Pflege.

Verwenden Sie ausschließlich VERMEIREN-Originalersatzteile. Reparaturen, Instandsetzungen dürfen nur von geschultem Personal durchgeführt werden. Nutzen Sie die Serviceleistungen Ihres Fachhändlers. Er wird Ihnen bei Wartung und Reparatur gerne weiterhelfen.

Vor jedem Wiedereinsatz ist der Rollator zu warten, wobei folgende Kriterien geprüft werden:

- Vollständigkeit
- Funktion des Faltmechanismus
- Überprüfung der Räder (Halt, Spur, Fixations)
- Rahmen (Verformung, Standsicherheit, Verschraubungen)
- Schiebegriffe (sichere Arretierung der Höhenverstellung, sicherer Halt der Schiebegriffe)
- Sitzfläche, Einkaufskorb sollten auf Beschädigungen überprüft werden
- GummifüÙe sollten auf Beschädigungen überprüft werden... um Schäden auf dem Boden zu vermeiden
- Entfernung von Verschmutzungen
- **Lackschäden (mögliche Roststellen entfernen und lackieren)**

Alle 8 Wochen:

- Fettung (Bewegliche Verbindungen sollen gefettet sein)

Alle 6 Monate (und vor jedem Wiedereinsatz) sollte der Unterarmkrücke gewartet werden nach folgenden Kriterien:

- Allgemeine Inspektion
- Desinfektion

14. Verpackung und Lagerung

Bei der Verpackung und Lagerung des Rollators sind die folgenden Hinweise zu beachten:

- Nur in trockenen Räumen lagern (zwischen +5°C und +41°C).
- Einlagerung bei Luftfeuchtigkeit von 30 % bis 70 %.
- Achten Sie darauf, den Rollator ausreichend abzudecken oder zu verpacken, um ihn vor Rost und Fremdkörpern zu schützen (z. B. Salzwasser, Seeluft, Sand und Staub).
- Der Rollator müssen belastungsfrei gelagert werden. (legen Sie keine schweren Teile auf den Rollator, klemmen Sie den Rollator nicht zwischen anderen Teilen ein usw.).

15. Gewährleistung

Auszug aus den allgemeinen Geschäftsbedingungen:

(...)

5. In verschiedenen Ländern können die Gewährleistungsbestimmungen unterschiedlich sein. Wenden Sie sich an Ihren Fachhändler, für die Verjährungsfrist für Gewährleistungsansprüche.

(...)

Wir übernehmen keine Gewähr bei Schäden, die durch konstruktive Veränderungen an unseren Produkten, mangelnde Wartung, fehlerhafte oder unsachgemäÙe Behandlung oder Lagerung oder Verwendung von anderen als Original-Ersatzteilen entstanden sind.

Die Gewährleistung auf Verschleißteile bzw. auf Teile, die einer natürlichen Abnutzung unterliegen, wird ebenfalls ausgeschlossen.

16. Entsorgung

Wenden Sie sich zur Entsorgung des Rollators an Ihr lokales Recyclingcenter, oder geben Sie das Produkt an den Fachhändler zurück. Dieser wird den Rollator nach einer fachgerechten Reinigung bzw. Desinfektion an den Hersteller zurücksenden, der ihn entsorgt bzw. recycelt.

Die Verpackungsmaterialien können Sie entweder zum Recycling geben oder bei Ihrem Fachhändler lassen.

17. Übereinstimmungserklärung

Der Hersteller oder sein bevollmächtigter Vertreter :

N.V. VERMEIREN N.V.

Adresse :

Vermeireplein 1/15
2920 Kalmthout
Belgien

erklärt unter der eigenen Verantwortung, dass CE-markierte Produkte :

Produktgruppe: Rollatoren
Produktgruppe (GMDN): Gehhilfe, faltbar (GMDN 37951)
FAGG Reg.-Nummer: BE/CA01/1/12-02965-26-CLI
Marke: Vermeiren
Typ: 251, 253, 275, 275BIS, 266, 286B, 286D, 286E, Streeter, 201 //
Delta, 4-light, ECO-Light, Quadri-Light

als Klasse I eingestuft werden, gemäß Anhang IX 93/42/EWG, Regel 1,

und hergestellt sind in völliger Konformität mit nachstehenden europäischen Richtlinien - inklusive der letzten Änderungen - und mit den nationalen Gesetzen, welche diese Richtlinien ausgestalten :
Richtlinie über Medizinprodukte 93/42/EWG: 2007

und den einschlägigen europäisch harmonisierten Standards entsprechen:
EN 12182: 2012, EN 1985: 1999, EN ISO 11199-2: 2005

Manuale di istruzioni Rollator 253

1. Dati tecnici

⚠ AVVERTENZA: Pericolo di limiti non sicuri. Utilizzare solo nei limiti descritti nel presente manuale.

Produttore	Vermeiren
Indirizzo	Vermeirenplein 1 / 15 B-2920 Kalmthout
Tipo	Rollator
Modello	253
Larghezza	560 mm
Lunghezza (estesa)	670 mm
Lunghezza (ripiegata)	185 mm
Altezza massima	915 mm
Altezza minima	795 mm
Altezza del sedile	530 mm
Larghezza del sedile	415 mm
Profondità del sedile	250 mm
Peso	4,60 kg
Peso ripiano	0,25 kg
Peso cestello	0,85 kg
Ruote	Ø 145 mm x 25 mm
Pendenza massima in avanti	15°
Pendenza massima indietro	7°
Pendenza massima laterale	3,5°
Peso massimo dell'occupante	max. 130 kg
Altezza massimacestino	max. 5 kg
Raggio di sterzata minimo	780 mm
Temperatura conservazione	+5°C - +41°C
La casa produttrice si riserva il diritto di apportare modifiche tecniche. Tolleranza misurazioni ± 15 mm / 1,5 kg / °.	

Ringraziamo per la fiducia accordataci con l'acquisto di un articolo di nostra produzione.

Prima di utilizzare il rollator leggere attentamente le presenti istruzioni, allo scopo di acquisire familiarità con il prodotto.

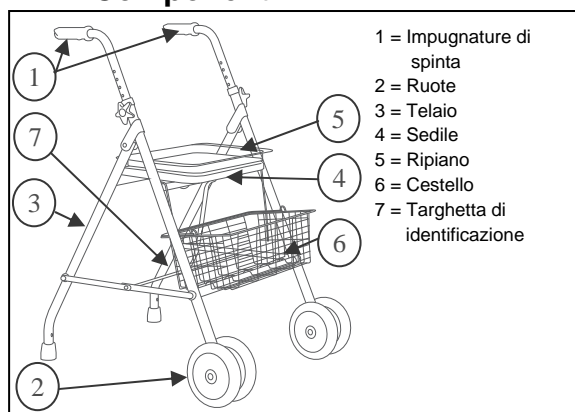
Le istruzioni contengono inoltre indicazioni per la pulizia e la manutenzione del rollator. Si prega di tenere presente che il rispetto di queste indicazioni consentirà di mantenere il rollator perfettamente efficiente e funzionante anche dopo anni.

Per qualsiasi chiarimento, rivolgersi al rivenditore specializzato.

Per individuare il centro assistenza o il rivenditore specializzato più vicino, contattare il centro Vermeiren. Nell'ultima pagina del manuale, è disponibile un elenco di centri Vermeiren autorizzati.

I pazienti con problemi di vista possono contattare il rivenditore per le istruzioni d'uso.

2. Componenti



3. Significato dei simboli

Portata massima

Conformità CE

Modello

4. Controllo dopo la consegna

Sballare il prodotto e verificare che tutti i componenti siano stati consegnati. Devono essere incluse le parti seguenti:

- Telaio del rollator, compreso sedile e 4 ruote (premontati) e due puntali
- Maniglie regolabili in altezza
- Cestello, ripiano
- Manuale di istruzioni

Verificare che non si siano prodotti danni durante il trasporto. In tal caso procedere come segue:

- Rivolgersi al corriere.
- Far certificare i danni
- Informare immediatamente il corriere.

5. Utilizzo previsto

⚠ AVVERTENZA: Per evitare rischi di caduta – Non usare il rollator in caso di debolezza nelle braccia o di scarso equilibrio.

Il rollator compensa la mancanza di sostegno adeguato di appoggio alle gambe o in movimento, con l'utilizzo degli arti superiori o torace. Il rollator garantisce una maggiore stabilità, supporto e sicurezza durante il cammino.

Tuttavia non potrà essere utilizzato da persone con un problema visibile di debole funzionamento del braccio/mano o con instabilità.

Il rollator è destinato all'utilizzo in ambienti **interni**.

Il rollator deve essere utilizzato su superfici orizzontali. Evitare superfici bagnate o scivolose.

Si raccomanda di rimuovere i tappeti presenti nelle stanze in cui il rollator viene utilizzato.

Il suo utilizzo non è previsto per il trasporto di persone o merce. Utilizzare il sedile per sedersi quando il rollator è su una superficie piana.

6. Apertura e chiusura del rollator (fig. 1)

⚠ AVVERTENZA: Rischio di schiacciamento - Tenere le dita, le fibbie e gli abiti lontani dal meccanismo di chiusura.

1. Rollator pieghevole

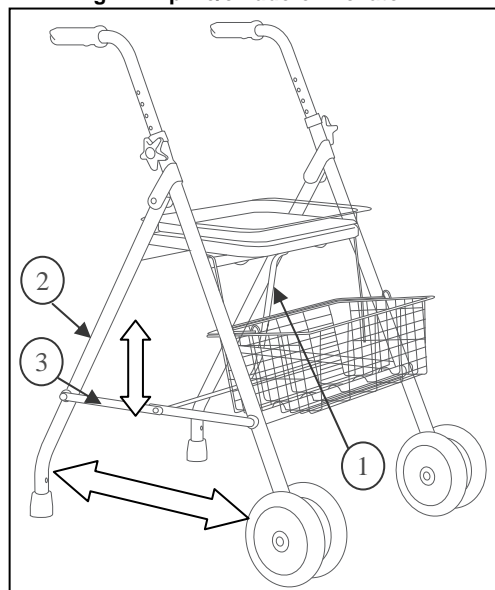
- Rimuovere il ripiano.
- Sollevare il sedile.
- Rimuovere il cestino.
- Tirare il cavo nero ① verso l'alto.
- Premere i tubi posteriori ② in avanti verso quelli anteriori per chiudere ulteriormente il rollator.

2. Aprire il rollator

- Tirare indietro i tubi posteriori ② per aprire il rollator.
- Premere verso il basso le leve di blocco ③ da entrambi i lati fino a farle scattare in posizione.
- Se necessario, sollevare il sedile.
- Posizionare il cestino sui tubi orizzontali su cui poggia il sedile.
- Abbassare il sedile verso il basso.
- Posizionare il ripiano.

- **Regolare le impugnature di spinta all'altezza desiderata (v. più avanti).**

Fig. 1 – Aprire/chiedere il rollator



7. Assemblaggio

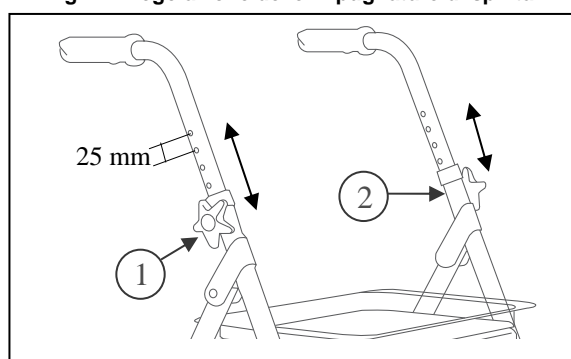
- Inserire le impugnature di spinta nel telaio anteriore.
- Aprire il rollator.
- **Regolare le impugnature di spinta all'altezza desiderata (v. più avanti).**

8. Impugnature di spinta (Fig. 2)

⚠ ATTENZIONE: Rischio di caduta - Bloccare saldamente le impugnature prima di utilizzare il rollator.

⚠ ATTENZIONE: Rischio di caduta – Non superare la regolazione massima in altezza delle impugnature di spinta; il deambulatore perderebbe stabilità.

Fig. 2 – Regolazione delle impugnature di spinta



Per regolare in altezza le impugnature di spinta, seguire la procedura seguente:

- Allentare la manopola a stella ①.
- Rimuovere completamente la manopola a stella ①.
- Rimuovere il dado ② dal tubo.
- Regolare le impugnature di spinta all'altezza desiderata (7 posizioni diverse)

a intervalli di 25 mm). In posizione eretta le impugnature di spinta devono essere all'altezza dei polsi. Lasciare le braccia a penzoloni.

- Riposizionare il dado ② nel relativo foro del tubo.
- Posizionare la manopola a stella ① sul dado ②.
- Serrare manualmente la manopola a stella ①.
- Regolare l'altra impugnatura seguendo la medesima procedura.
- Controllare che entrambe le impugnature siano regolate alla stessa altezza.

9. Cestino

⚠ AVVERTENZA: Per evitare il rischio di ribaltamento non sovraccaricare il cestino.

Il cestino è previsto per essere montato sulla parte anteriore del rollator. Fissare il cestino avvalendosi dei quattro ganci sui due tubi orizzontali su cui poggia il sedile.

Il cestino può contenere un peso massimo di Kg.5.

10. Istruzioni per la sicurezza

- Verificare che non vi siano oggetti sul piano di scorrimento delle ruote.
- Pericolo di ustioni. Prestare attenzione durante l'uso in ambienti caldi o freddi (esposizione al sole, freddo estremo, sauna, ecc.) per un determinato periodo di tempo e quando si tocca il dispositivo.
- Prima di utilizzare il rollator verificare che la manopola a stella dei tubi di impugnatura siano bloccate.
- Accertarsi che il perno di sicurezza pieghevole / fisso del deambulatore sia sempre inserito.
- Durante l'uso non sollevare il rollator perché potrebbe ripiegarsi, con rischio di caduta. Iniziare a spingere quando si è in posizione eretta con entrambe le mani sulle impugnature.
- Non tenere le maniglie con le mani umide, perché potrebbero scivolare facendo perdere l'equilibrio.
- Durante la marcia imparare a riconoscere i primi segni di affaticamento, fermarsi su una superficie piana, in modo da potersi riposare sedendosi sul sedile.
- **Il rollator è progettato per un carico massimo di 130 kg** e per marcia in piano.
Non superare con il rollator scalini o gradini di altezza superiore a 40 mm.
- Evitare percorsi in salita e in discesa.
- Evitare superfici bagnate o scivolose.

- Non utilizzare il rollator per il trasporto di cose o persone (sul sedile).
- La casa costruttrice declina ogni garanzia e responsabilità in caso di uso improprio e di mancata esecuzione dei controlli prescritti nelle istruzioni per l'uso. La casa costruttrice declina ogni garanzia e responsabilità in caso di uso improprio e di mancata esecuzione dei controlli prescritti nelle istruzioni per l'uso.

11. Pulizia

Per la pulizia utilizzare una soluzione a base di sapone neutro. L'eventuale detersivo deve in ogni caso avere un pH di almeno 6. Non utilizzare detersivi contenenti solventi. Attenersi alle istruzioni fornite a corredo del detersivo. Per la pulizia utilizzare un panno inumidito con acqua tiepida. Non bagnare eccessivamente il panno. Non utilizzare spazzole metalliche o oggetti abrasivi o appuntiti. In caso di danni alla vernice o ai componenti in legno rivolgersi al rivenditore. Una pulizia regolare consente di mantenere il rollator in ottime condizioni e perfettamente funzionante.

12. Disinfezione

Per sterilizzare il rollator, utilizzare soltanto disinfettanti adatti per il trattamento di metallo verniciato e superfici in legno. Attenersi alle istruzioni fornite a corredo del detersivo. La disinfezione a sfregamento deve essere effettuata con le soluzioni disinfettanti e le percentuali di diluizione indicate nelle raccomandazioni del Robert-Koch-Institut (www.rki.de). La disinfezione dev'essere effettuata dal personale addetto all'igiene o da esso delegato. Rivolgersi al rivenditore.

13. Riparazione / Manutenzione / Controllo

La durata del prodotto dipende dall'utilizzo, dalla manutenzione, dallo stoccaggio e dalla pulizia.

Utilizzare solo le parti di ricambio autorizzate Vermeiren. Le riparazioni e le manutenzioni devono essere eseguite da personale competente. Rivolgersi al servizio di assistenza per le riparazioni e la manutenzione. Saranno lieti di assisterla per qualsiasi problema di servizio e riparazione.

Prima di riprendere a utilizzare il rollator, deve essere sottoposto a manutenzione attenendosi ai seguenti criteri:

- Completezza
- Meccanismo di chiusura
- Verifica delle ruote (stabilità, direzione, viti di fissaggio)

- Telaio (deformazione, stabilità, collegamenti a vite)
- Impugnature di spinta (bloccaggio sicuro del sistema di regolazione dell'altezza, buon supporto delle impugnature)
- Usura o possibili danni al sedile, cestino
- Usura o possibili danni ai puntali e sostituirli se necessario. Sostituirli per evitare danni alle superfici.
- Pulizia
- **Danni alla vernice (eliminare e riverniciare eventuali tracce di ruggine).**

Ogni 8 settimane

- Lubrificazione (le connessioni mobili devono essere leggermente ingrassate)

Ogni sei mesi o per ogni nuovo utente, è necessaria la manutenzione in base ai seguenti criteri:

- Controllo generale.
- Disinfezione

14. Trasporto e conservazione

Il trasporto e la conservazione del prodotto devono essere conformi alle seguenti istruzioni:

- Conservare solo in ambienti asciutti (+5°C - +41°C).
- Umidità relativa tra 30 e il 70 %.
- Assicurare sufficiente protezione o imballaggio da preservare il prodotto da ruggine e corpi estranei (per es. acqua salata, aria di mare, sabbia).
- Conservare il prodotto senza sottoporlo a sollecitazioni. (Non appoggiare parti pesanti sul prodotto, non incastrarlo tra altri oggetti ...)

15. Garanzia

Tranne per le "Condizioni generali aziendali":

(...)

5. In alcuni paesi le condizioni della garanzia possono differire. Consultare il rivenditore per il periodo relativo ai reclami in garanzia.

(...)

Non rientrano in garanzia danni derivanti da modifiche strutturali ai prodotti, scarsa manutenzione, gestione o conservazione difettosa o impropria, né utilizzo di parti non originali.

Non rientrano inoltre in garanzia parti o parti operative soggette a usura e logoramento naturali.

16. Smaltimento

Al momento dello smaltimento del rollator, contattare il centro di raccolta locale o restituire il prodotto al rivenditore, che dopo averlo sottoposta a una procedura igienica la potrà inviare al produttore che la smaltirà e riciclerà nel modo corretto, separando componenti e materiali.

I materiali di imballaggio possono essere portati ai centri di raccolta o riconsegnati al rivenditore.

17. Dichiarazione di conformità

Il fabbricante o il distributore :

N.V. VERMEIREN N.V

Indirizzo :

Vermeireplein 1/15
2920 Kalmthout
Belgio

dichiara sotto la propria responsabilità, che i seguenti dispositivi medici marchiati CE:

Gruppo Prodotto:	Deambulatori e rollator
Gruppo Prodotto (GMDN):	Rollator pieghevole (GMDN 37951)
Registrazione ente FAGG:	BE/CA01/11/2-02965-26-CL1
Marchio:	Vermeiren
Tipo:	251, 253, 275, 275BIS, 266, 286B, 286D, 286E, Streeter, 201 // Delta, 4-light, ECO-Light, Quadri-Light

sono classificati come di Classe I, come da allegato IX 93/42/CEE, riga 1,

e vengono fabbricati secondo le normative sotto riportate, comprese le ultime variazioni e secondo la legge nazionale che regolamenta dette direttive :

Normative sui dispositivi medici 93/42/CEE: 2007

e rispettano le seguenti normative europee armonizzate:

EN 12182: 2012, EN 1985: 1999, EN ISO 11199-2: 2005

MANUAL DE INSTRUCCIONES

Andador 253

1. Datos técnicos

⚠ ADVERTENCIA: Riesgo por ajustes peligrosos; utilice únicamente los ajustes indicados en este manual.

Fabricante	Vermeiren
Dirección	Vermeirenplein 1/15, B-2920 Kalmthout
Tipo	Andador
Modelo	253
Anchura	560 mm
Longitud (desplegado)	670 mm
Longitud (plegado)	185 mm
Altura máxima	915 mm
Altura mínima	795 mm
Altura del asiento	530 mm
Anchura del asiento	415 mm
Profundidad del asiento	250 mm
Peso	4,60 kg
Peso bandeja	0,25 kg
Peso cesta	0,85 kg
Ruedas	Ø 145 mm x 25 mm
Inclinación máx. hacia delante	15°
Inclinación máx. hacia atrás	7°
Inclinación máx. lateral	3,5°
Peso máximo del usuario	máx. 130 kg
Peso máximo de la cesta	máx. 5 kg
Amplitud de giro	780 mm
Temperatura de almacenamiento	+5°C - +41°C
Derechos de modificación reservados. Tolerancia de la medida ± 15 mm/1,5 kg/°.	

En primer lugar, queremos agradecerle la confianza que ha puesto en nosotros eligiendo un producto **VERMEIREN**.

Antes de usar el andador, lea atentamente el manual de instrucciones para familiarizarse con este producto.

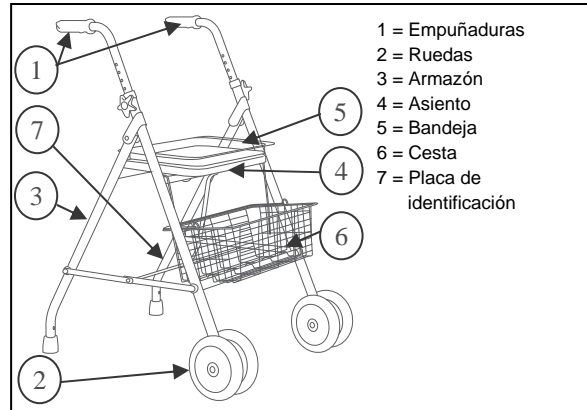
También obtendrá consejos acerca de los cuidados y mantenimiento de su andador. Recuerde que si sigue nuestros consejos mantendrá su andador en excelente estado de conservación y funcionará perfectamente durante años.

Si tiene más preguntas, le rogamos que consulte a su distribuidor especializado. Para encontrar un centro de servicio o un distribuidor especializado cerca de usted,

póngase en contacto con el centro Vermeiren más próximo. Puede encontrar una lista con los centros Vermeiren en la última página.

Las personas con deficiencias visuales pueden ponerse en contacto con el distribuidor para obtener las instrucciones de uso.

2. Componentes



3. Explicación de los símbolos



Peso máximo



Conformidad con la normativa CE



Designación de tipo

4. Comprobación tras la entrega

Desembale el producto y compruebe que incluye todos los componentes. El paquete debe contener los siguientes elementos:

- Armazón del andador con asiento, 4 ruedas (montadas) y 2 conteras.
- Empuñaduras de altura ajustable
- Cesta, bandeja
- manual

Inspeccione el producto para comprobar si ha sufrido daños durante el transporte. Si encuentra daños tras la entrega, proceda de la siguiente manera:

- Póngase en contacto con el transportista
- Haga una lista con los problemas detectados
- Póngase en contacto con su proveedor

5. Uso previsto

⚠ ADVERTENCIA: Riesgo de caída: no use el andador si no tiene equilibrio o fuerza en los brazos.

El andador compensa la falta de apoyo de las piernas con la inclinación sobre el andador o el desplazamiento con él mediante el uso de las extremidades superiores o el pecho. El andador mejora la estabilidad y ofrece mayor apoyo y seguridad al caminar.

No obstante, su uso no está permitido para personas con la función de una mano y/o de un brazo visiblemente debilitado ni para personas con problemas de equilibrio. El andador está adaptado para su uso en interiores.

Utilizar el andador en superficies planas. Evite los suelos mojados.

Se recomienda retirar las alfombras de las habitaciones donde se utilice el andador. Este producto no está concebido para el transporte de personas u objetos. El asiento solo se puede utilizar cuando el andador está sobre una superficie estable.

6. Plegado y desplegado el andador (imagen 1)

⚠ ADVERTENCIA: Riesgo de atrapamiento. Mantenga los dedos, hebillas y ropa alejados del mecanismo de plegado.

1. Plegado del andador

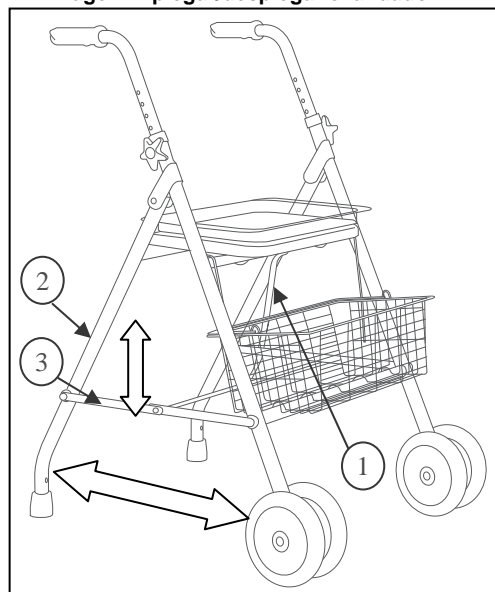
- Retire la bandeja.
- Eleve el asiento.
- Tire de la correa ① hacia arriba.
- Empuje los tubos posteriores ② hacia delante, contra los frontales, para plegar el andador.

2. Desplegado del andador

- Tire de los tubos posteriores ② hacia atrás para desplegar el andador.
- Empuje las láminas de unión ③ de los lados hacia abajo hasta que se bloqueen en su sitio.
- Eleve el asiento en caso necesario.
- Coloque la cesta sobre los tubos horizontales donde se apoya el soporte del asiento.
- Baje el asiento.
- Monte la bandeja.

- **Ajuste las empuñaduras a la altura deseada (más detalles a continuación).**

Imagen 1: plegar/desplegar el andador



7. Montaje

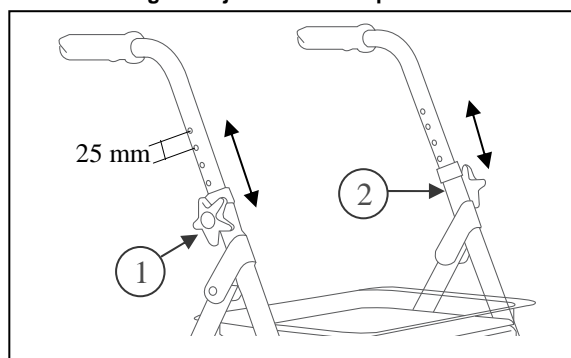
- Deslice las empuñaduras en el chasis frontal.
- Despliegue el andador.
- **Ajuste las empuñaduras la altura deseada (más detalles a continuación).**

8. Empuñaduras (imagen 2)

⚠ PRECAUCIÓN: Riesgo de caída. Fije bien las empuñaduras antes de usar el andador.

⚠ PRECAUCIÓN: Riesgo de caída. No supere el ajuste de altura máxima de las empuñaduras, de lo contrario, el andador perderá la estabilidad.

Fig. 2 – Ajuste de las empuñaduras



Realice los siguientes pasos para ajustar la altura de las empuñaduras:

- Afloje el pomo de estrella ①.
- Retire el remache de estrella ① totalmente.
- Saque el perno ② del tubo.
- Ajuste las empuñaduras a la altura deseada (7 posiciones distintas: intervalos de 25 mm). Cuando esté de pie, las empuñaduras deben encontrarse a la altura de las muñecas. Los brazos deben colgar ligeramente.
- Coloque el perno ② de nuevo en el agujero del tubo.
- Coloque el pomo de estrella ① en el perno ②.
- Vuelva a apretar el pomo de estrella ① a mano.
- Siga los mismos pasos para ajustar la otra empuñadura.
- Compruebe que las dos empuñaduras se han ajustado a la misma altura.

9. Cesta

⚠ ADVERTENCIA: Riesgo de caída, vuelco: no sobrecargue la cesta.

La cesta está diseñada para montarse en la parte delantera. Coloque la cesta con los dos ganchos a los tubos delanteros horizontales, donde se apoya el soporte del asiento.

El peso máximo que puede llevar la cesta es de 5 kg.

10. Instrucciones de seguridad

- Asegúrese de que no hay objetos bloqueando el uso normal de las ruedas del andador.
- Riesgo de quemaduras: tenga cuidado cuando circule por entornos calientes o fríos (luz solar, frío extremo, saunas, etc.) durante un período de tiempo prolongado, ya que podría quemarse al tocar el dispositivo.
- Antes de cada uso, compruebe que el pomo de estrella para las empuñaduras esté firmemente bloqueado.
- Asegúrese de que el sistema de seguridad que evita plegados/despliegues involuntarios funciona correctamente.
- Únicamente debe comenzar a moverse con su andador cuando se sienta cómodo de pie y cuando tenga las dos manos sobre las empuñaduras.
- No sujete las empuñaduras con las manos mojadas. Si lo hiciera, podría no tener un buen agarre y perder el equilibrio.
- Cuando detecte que se está cansando, detenga su andador, haga que las

conteras del andador toquen el suelo y siéntese en el asiento.

- **El peso máximo del usuario del andador es de 130 kg** y sólo puede usarse sobre una superficie plana. No use el andador en una escalera o en superficies con baches superiores a 40 mm.
- Evite caminos con mucha inclinación.
- Evite los suelos mojados.
- No use el andador para transportar a personas u objetos.
- Tenga en cuenta las instrucciones de cuidado y mantenimiento. El fabricante no asume ninguna responsabilidad por los daños derivados de un cuidado o mantenimiento incorrectos.

11. Cuidados

Se recomienda usar una solución jabonosa para la limpieza. El líquido limpiador debe en todo caso tener un pH de al menos un valor de 6. No emplee un agente limpiador que contenga disolventes. Siga las instrucciones del líquido limpiador empleado. Utilice un trapo húmedo y agua tibia para limpiar la muleta. Evite empaparla. No use cepillos metálicos ni cualquier otro utensilio de limpieza afilado o puntiagudo. En caso de daños en el esmalte o las piezas de madera, consulte con su distribuidor especializado. Si aplica cuidados periódicos, se asegurará de que el andador se conserve en un estado funcional perfecto.

12. Desinfección

Para la esterilización, emplee únicamente desinfectantes adecuados para el tratamiento de superficies de metal esmaltado y de madera. Siga las instrucciones del líquido limpiador empleado. Emplee únicamente procesos (para la desinfección por frotamiento) y desinfectantes comprobados que estén incluidos en la lista del Robert Koch Institute (encontrará información en: www.rki.de). Sólo el personal con la debida formación puede llevar a cabo las desinfecciones. Consulte a su distribuidor especializado.

13. Reparaciones / Mantenimiento / Inspección

La vida útil del andador depende del uso, del almacenamiento, del mantenimiento periódico, de las inspecciones y de la limpieza.

Debe usar únicamente repuestos originales de VERMEIREN. Sólo el personal con la debida formación puede llevar a cabo las reparaciones y puestas a punto. Haga uso de los servicios que ofrece su distribuidor especializado, que estará encantado en proporcionarle más ayuda en lo referente al mantenimiento y las reparaciones.

Antes de volver a usar el andador, debe realizarse una revisión conforme a los siguientes criterios:

- Estado completo
- Mecanismo de plegado
- Ruedas pivotantes (estabilidad, rodada, tornillos de fijación)
- Armazones (deformación, estabilidad, conexiones)
- Empuñaduras (bloqueo seguro del sistema de ajuste de altura, buen apoyo de las empuñaduras)
- Asiento, cesta (desgaste o daños)
- Conteras (desgaste o daños) y reemplácelos si es necesario. Se evitará estropear el suelo.
- Limpieza
- **Esmalte dañado (eliminación de posible óxido y nueva capa de pintura)**

Cada 8 semanas:

- Lubricación (deben engrasarse las piezas móviles)

Cada 6 meses o para cada nuevo usuario, debería realizarse una revisión conforme a los siguientes criterios:

- revisión general
- Desinfección

14. Envío y almacenamiento

El envío y almacenamiento del andador deben realizarse conforme a las instrucciones siguientes:

- Almacenamiento en un lugar seco (entre +5°C y +41°C).
- La humedad relativa del aire debe situarse entre 30% y 70%.
- Cubra o empaquete el andador lo suficiente como para protegerlo de la oxidación y de cuerpos extraños (p. ej. agua salada, brisa marina, arena, polvo, etc.).
- El andador se debe almacenar sin estar sujeto a cargas (no coloque piezas pesadas sobre el producto, no lo encaje entre otros objetos, etc.).

15. Garantía

Extracto de las "Condiciones Comerciales Generales".

(...)

5. Las condiciones de la garantía pueden variar de un país a otro. Consulte a su distribuidor especializado el período para reclamaciones en garantía.

(...)

La garantía no incluye los daños provocados por cambios estructurales en nuestros productos, un mantenimiento insuficiente, una manipulación o almacenamiento defectuosos o inadecuados, o el uso de piezas no originales.

Asimismo, la garantía no incluye las partes o piezas funcionales sometidas al desgaste y la abrasión naturales.

16. Eliminación

Para desechar el andador, póngase en contacto con la planta de desechos de su región o devuelva el producto a su distribuidor especializado, quien, una vez realizado el proceso higiénico, devolverá la silla al fabricante, que la desechará o reciclará de forma correcta separando sus componentes. Los embalajes pueden llevarse a las plantas de desecho o reciclaje o a su distribuidor especializado.

17. Declaración de conformidad

El fabricante o su representante autorizado:

N.V. VERMEIREN N.V.

Dirección:

Vermeirenplein 1/15

2820 Kalmthout

Bélgica

declara bajo su propia responsabilidad, el mercado CE productos sanitarios:

Producto : Andadores / rollators

Producto (GMDN): Andador, plegable (GMDN 37951)

AEMPS (FAGG)

número de registro: BE/CA01/11/2-02965-26-CLI

Marca : Vermeiren

Tipo : 251, 253, 275, 275BIS, 286, 286B, 286D, 286E, Streeter, 201 // Delta, 4-light, ECO-Light, Quadri-Light

se clasifican como Clase I, según MDD 93/42/EEC Anexo IX, regla 1,

y fabricado en el pleno cumplimiento de las siguientes directivas europeas - incluyendo los cambios más recientes - y con la legislación nacional, que organiza estas pautas:

Directiva sobre productos médicos MDD 93/42/CEE: 2007

y cumplir con las normas europeas armonizadas pertinentes:

EN 12182: 2012, EN 1985: 1999, EN ISO 11199-2: 2005

Instrukcję obsługi Rolatora 253

1. Dane techniczne

⚠ OSTRZEŻENIE: Ryzyko niebezpiecznych ustawień — należy używać wyłącznie ustawień opisanych w tej instrukcji obsługi.

Producent	Vermeiren	
Adres	Vermeirenplein 1 / 15 B-2920 Kalmthout	
Typ	Rolatora	
Model	253	
Szerokość	560 mm	
Długość (po rozłożeniu)	670 mm	
Długość (po złożeniu)	185 mm	
Wysokość maksymalna	915 mm	
Wysokość minimalna	795 mm	
Wysokość siedziska	530 mm	
Szerokość siedziska	415 mm	
Głębokość siedziska	250 mm	
Waga	4,60 kg	
Waga Taca	0,25 kg	
Waga koszyk	0,85 kg	
Kółka	Ø 145 mm x 25 mm	
Max. nachylenie do przodu	15°	
Max. nachylenie do tyłu	7°	
Max. nachylenie na boki	3,5°	
Maksymalna waga użytkownika	maks. 130 kg	
Maksymalne obciążenie koszyka	maks. 5 kg	
Promień skrętu	780 mm	
Temperatura przechowywania	+5°C - +41°C	
Producent zastrzega sobie prawo do wprowadzania zmian parametrów technicznych. Tolerancja pomiarów ± 15 mm / 1,5 kg / °		

Dziękujemy za zaufanie jakim nas Państwo obdarzyliście wybierając wyroby **VERMEIREN**.

Przed użyciem należy zapoznać się z niniejszą instrukcją.

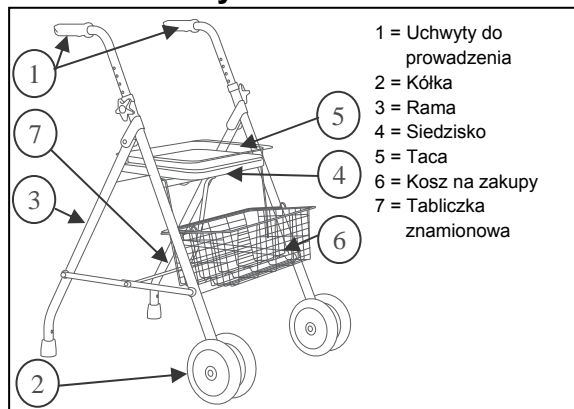
Instrukcja zawiera wskazówki; jak konserwować i serwisować rolatora. Proszę pamiętać, że przestrzeganie niniejszych wskazówek pozwoli utrzymać wyrób w najlepszej kondycji oraz pozwoli na prawidłowe funkcjonowanie przez lata użytkowania.

W razie jakichkolwiek pytań prosimy kontaktować się ze sprzedawcą.

Aby uzyskać informację o odpowiednim punkcie serwisowym lub wyspecjalizowanym sprzedawcy, należy skontaktować się z najbliższym przedstawicielem firmy Vermeiren. Wykaz przedstawicieli firmy Vermeiren podano na ostatniej stronie.

Osoby niedowidzące mogą skontaktować się ze sprzedawcą w celu uzyskania instrukcji użytkowania.

2. Elementy składowe



3. Objasnienie symboli



Waga maksymalna



Deklaracja CE



Oznaczenie typu

4. Kontrola po dostawie

Dostarczony produkt należy rozpakować i sprawdzić, czy zawiera wszystkie elementy. W zestawie powinny znajdować się:

- Rama z siedziskiem na czterech kółkach o dwie końcówka
- Regulowane uchwyty do prowadzenia
- Kosz na zakupy, taca
- Instrukcja obsługi

Proszę sprawdzić wyrób pod kątem zniszczeń w transporcie. Jeśli wyrób nosi ślady uszkodzeń w transporcie proszę zastosować się do poniższej procedury:

- Proszę skontaktować się i poinformować firmę transportową
- Sporządzić listę uszkodzeń
- Skontaktuj się ze sprzedawcą

5. Przeznaczenie

⚠ OSTRZEŻENIE: Ryzyko upadku – Nie należy używać rolatora w przypadku ograniczonej sile ramion i przy zachwianym poczuciu równowagi.

Rolator służy do podparcia dla osób, które mają nie wystarczająco siły w nogach podczas; samodzielnego stania, lub poruszania się. Gwarantuje lepszą stabilność, podparcie i bezpieczeństwo podczas chodzenia.

Aczkolwiek nie może być używany przez osoby ze słabymi rękami z dysfunkcjami ramion oraz przez osoby z zachwianym poczuciem równowagi.

Rolator jest przeznaczony do użytku **wewnątrz** pomieszczeń.

Rolator powinno się używać w pozycji horyzontalnej powierzchni. W celu zapewnienia poprawnego funkcjonowania rolatora zaleca się usunięcie wykładzin w pomieszczeniach w których będzie używany. Wykładzina hamuje rolator i stawia dodatkowy opór. Rolator nie służy do przewożenia osób i rzeczy. Siedzisko może być używany tylko wtedy gdy rolator stoi na płaskiej powierzchni.

6. Składanie i rozkładanie rolatora (Rys. 1)

⚠ OSTRZEŻENIE: Ryzyko przyskrzynienia - Nie wkładaj palcy, klamer i ubrania do mechanizmu składającego.

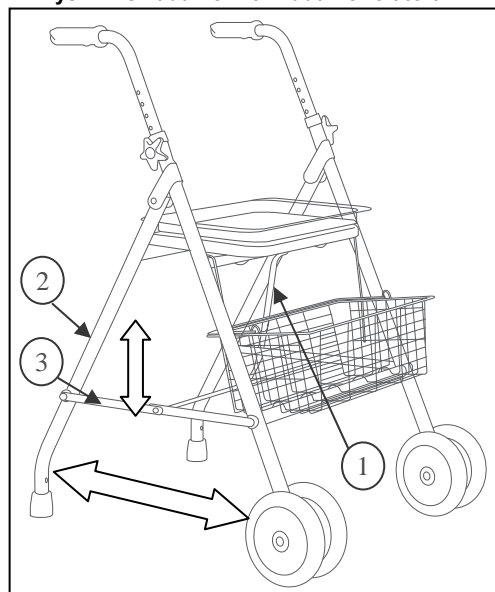
1. Składanie rolatora

- Wykręć tace.
- Unieś siedzisko.
- Wykręć koszyk na zakupy.
- Pociągnij czarny sznur ① do góry.
- Popchnij tylne nóżki ② w kierunku przednich żeby złożyć rolatora.

2. Rozkładanie rolatora

- Pociągnij tylne nóżki ② do tyłu żeby rozłożyć rolatora.
 - Popchnij płytki mocujące ③ z obu stron w dół (do pozycji zablokowanej).
 - W razie potrzeby unieś siedzisko.
 - Zamontuj koszyk na rurkach poniżej tacy.
 - Opuść siedzisko.
 - Montaż tacy.
- **Ustaw rączki na odpowiedniej wysokości (patrz dalej).**

Rys. 1 – składanie / rozkładanie rolatora



7. Montaż

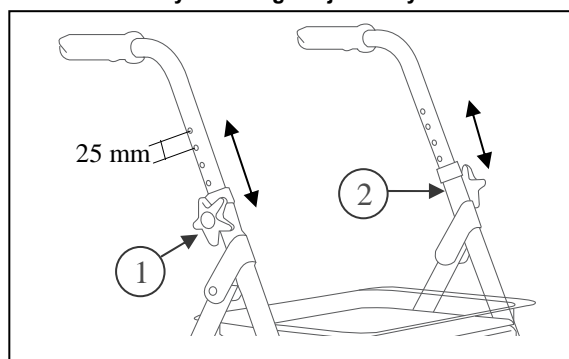
- Przesuń rączki na przedniej ramie.
- Rozłóż rolatora.
- **Ustaw rączki na odpowiedniej wysokości (patrz dalej).**

8. Rączki-uchwyty (Rys. 2)

⚠ PRZESTROGA: Ryzyko upadku - Dobrze umocuj rączki przed użyciem rolatora.

⚠ PRZESTROGA: Ryzyko upadku - Nie przekraczaj maksymalnej wysokości ustawienia uchwytów, gdyż twój rolator straci wtedy stabilność.

Rys. 2 – Regulacja uchwytów



Wysokość położenia ustawić może być regulowana w następujący sposób:

- Poluzuj wkręt gwiazdkowy ①.
- Usuń całkowicie wkręt gwiazdkowy ①.
- Usuń śrubę ② z rurki.
- Ustaw rączkę na odpowiedniej wysokości (7 różnych pozycji: miarka co 25 mm). Stojąc prosto, uchwyty powinny sięgać do twoich nadgarstków; Ramiona powinny luźno zwiisać.
- Umieść śrubę ② z powrotem w rurce.

- Umieść wkręt gwiazdkowy ① na śrubie ②.
- Mocno dokręć wkręt gwiazdkowy ① ręką.
- W podobny sposób ustaw drugą rączkę.
- Sprawdź czy obydwie rączki są na tej samej wysokości.

9. Koszyk

⚠ OSTRZEŻENIE: Ryzyko upadku- Nie należy przeładowywać koszyka na zakupy.

Koszyk montuje się na przedniej części ramy. Zamontuj koszyk na dwóch haczykach znajdujących się na rurkach. Maksymalne obciążenie podczas używania rolatora - 5 kg.

10. Instrukcje bezpieczeństwa

- Należy się upewnić, że podczas używania rolatora nic nie blokuje kół (nie przeszkadza).
- Istnieje ryzyko poparzenia - Należy zachować ostrożność podczas przewożenia przy bardzo wysokich i niskich temperaturach (na ostrym słońcu, mrozie, w saunie itp.) przez dłuższy czas i przy kontakcie ze skórą.
- Przed używaniem należy upewnić się, że wkręt gwiazdkowy rączki do pchania są dokładnie dociśnięte.
- Należy sprawdzić, czy blokada służąca składania i rozkładania balkonik działa poprawnie.
- Posługiwanie się rolatora do chodzenia jest dozwolone tylko wtedy kiedy użytkownik czuje się stabilnie i komfortowo oraz dwie ręce spoczywają na rączkach do uchwyt.
- Nie należy chwytać rączek do uchwyt wilgotnymi dłońmi. Ręce mogą się ześliznąć z uchwytów i w ten sposób użytkownik może utracić równowagę.
- Jeśli podczas używania rolatora użytkownik poczuje się zmęczony, należy zatrzymać rolator. Wcisnąć hamulec i należy usiąść na siedzeniu na rolatorze.
- **Maksymalna dopuszczana waga użytkownika to 130 kg** i rolator może być używany tylko na równej powierzchni.
Nie należy używać rolatora na schodach lub na nierównej nawierzchni maksymalna wysokość nierówności 40 mm.
- Należy unikać ścieżek bardzo stromych.
- Zachowaj szczególną ostrożność na mokrej nawierzchni.

- Nie należy używać rolatora do przewożenia osób lub innych rzeczy.
- Proszę dokładnie zapoznać się z instrukcją w zakresie bezpieczeństwa iserwisu. Producent nie bierze odpowiedzialność za zniszczenia spowodowane przez nie właściwe użytkowanie i konserwację.

11. Pielęgnacja

Zaleca się do czyszczenia używanie roztworu wody z mydłem. Płyn do czyszczenia nie powinien mieć PH na poziomie przekraczającym 6. Nie należy używać środków czyszczącychzawierających rozpuszczalnik. Należy zawsze zwrócić uwagę na instrukcję środka czyszczącego. Do czyszczenia należy używać wilgotnej ściereczki oraz letniego płynu. Unikać przemoczenia. Nie należy używać metalowych szczotek oraz żadnych innych ostrych przyborów czyszczących. W przypadku uszkodzenia lakieru lub stolarki, skonsultuj się ze sprzedawcą. Regularna pielęgnacja rolatora pozwala utrzymać je w idealnym stanie.

12. Dezynfekcja

Do sterylizacji należy stosować wyłącznie środki odkażające przeznaczone do powlekanych powierzchni metalowych i powierzchni drewno. Należy zawsze zwrócić uwagę na instrukcję środka czyszczącego. Zaleca się stosować środki sprawdzone które są na liście Instytutu Roberta Kocha (informacje można uzyskać na stronie: www.rki.de). Dezynfekcja może być przeprowadzona wyłącznie przez przeszkolone osoby. Należy skontaktować się ze sprzedawcą.

13. Naprawy/konserwacja/ przeglądy

Na żywotność rolatora ma wpływ sposób używania, sposób przechowywania, dokonywanie regularnych oględzin, utrzymanie w czystości.

Należy używać wyłącznie oryginalnych części zamiennych. Naprawy i remonty powinny być przeprowadzone wyłącznie przez przeszkolone osoby. Jeśli to możliwe należy korzystać z serwisu dostawcy. On chętnie pomożemy w odniesieniu do usług i remontów.

Przed każdym używaniem rolator powinien być sprawdzony pod względem:

- Kompletności
- Prawidłowego działania mechanizmu składania
- Funkcjonowania kółek (stabilność, właściwości jezdne, mocowanie śrub)
- Ramy, (uszkodzenia, deformacje, stabilność)
- Kondycji rączek do uchwyt (bezpiecznego blokowania regulacji wysokości, prawidłowego podparcia)
- Kondycji takich elementów jak: siedzisko, koszyk.
- Kondycji takich elementów jak: gumowe końcówki i w razie potrzeby wymienić je na nowe.
- Czyszczenie
- **Uszkodzenia powłoki lakierniczej (usunąć możliwą rdzę i przemaalować)**

Co 8 tygodni:

- Smarowanie (ruchome części powinny być smarowane)

Co 6 miesięcy lub przed każdym nowym użytkownikiem, kula powinna być poddana:

- Przeglądowi generalnemu
- Dezynfekcja

14. Wysyłka i Przechowywanie

Podczas transportu i przechowywania rolatora należy się stosować do następujących instrukcji:

- 4-kołowy balkonik powinien być przechowywany wyłącznie w suchych pomieszczeniach (od + 5°C do + 41°C).
- Względna wilgotność powietrza: 30–70%.
- Zapewnić odpowiednie przykrycie lub opakowanie chroniące rolatora przed rdzą i ciałami obcymi (np. słoną wodą, morskim powietrzem, piaskiem, pyłem).
- Przechowywane elementy muszą być wolne od nacisku (nie umieszczać ciężkich części na rolatora, nie wciskać pomiędzy inne objekty ...).

15. Gwarancja

Wycinek z „Ogólnych warunków prowadzenia działalności”:

(...)

5. Warunki gwarancji mogą się różnić w zależności od kraju. Proś

wykwalifikowanego sprzedawcę o informacje o okresie trwania gwarancji.
(...)

Gwarancja nie obejmuje uszkodzeń powstałych na skutek dokonywania zmian strukturalnych produktu, niewystarczającej konserwacji, niewłaściwego użytkowania lub przechowywania lub korzystania z nieoryginalnych części.

Gwarancja nie obejmuje również części lub części ruchomych podlegających naturalnemu zużyciu.

16. Utylizacja

Podczas utylizacji rolatora należy się skontaktować z lokalnym centrum składowania odpadów lub zwrócić produkt wyspecjalizowanemu sprzedawcy, który po poddaniu wózka procedurze czyszczącej może odesłać go do producenta, który z kolei podda produkt odpowiedniej utylizacji i recyklingowi, rozkładając go na materiały składowe.

Materiały pakunkowe można oddać do centrum utylizacji i recyklingu lub wyspecjalizowanemu sprzedawcy.

17. Deklaracja zgodności

Producent lub jego upoważniony przedstawiciel:

N.V. VERMEIREN N.V.

Adres:

Vermeirenplein 1/15
2020 Kalmthout
Belgia

deklaruje na własną odpowiedzialność, że wyroby medyczne ze znakiem CE:

Produktu:	Rolator
Produktu (GMDN):	Balkonik, pomoc do chodzenia składany (GMDN 37951)
FAGG numer rejestracyjny:	BE/CA01/1112-02965-26-CLI
Marka:	Vermeiren
Typ:	251, 253, 275, 275BIS, 266, 286B, 286D, 286E, Streeter, 201 // Delta, 4-light, ECO-Light, Quadri-Light

Są sklasyfikowane jako klasa I, zgodnie z MDD 93/42/EEC załączniku IX, zasady 1

i wykonane są w pełnej zgodności z następującymi dyrektywami europejskimi:

Dyrektywa o wyrobach medycznych MDD 93/42/EEC

w tym najnowsze zmiany oraz z prawem krajowym, który organizuje te wytyczne.

oraz spełnia wymagania zasadnicze określone w:

Ustawie o wyrobach medycznych z dnia 20 maja 2010

Oraz zgodne są z odpowiednimi zharmonizowanymi normami europejskimi:

PN-EN 12182: 2012, PN-EN 1985: 1999, PN-EN ISO 11199-2: 2005

SERVICE

The rollator was serviced:
Le rollator roulant contrôlé:
De rollator is gecontroleerd:

Das Rollator wurde überprüft:
Il deambulatore è stat ispezionata:
La andador ha sido revisado:
Z chodzik był serwisowany:

Dealer's stamp • Cachet du revendeur • Stempel van de handelaar
Händlerstempel • Timbro del rivenditore • Sello del distribuidor •
Dealerzy pieczęć:

Date • Datum • Data • Fecha:

Dealer's stamp • Cachet du revendeur • Stempel van de handelaar
Händlerstempel • Timbro del rivenditore • Sello del distribuidor •
Dealerzy pieczęć:

Date • Datum • Data • Fecha:

Dealer's stamp • Cachet du revendeur • Stempel van de handelaar
Händlerstempel • Timbro del rivenditore • Sello del distribuidor •
Dealerzy pieczęć:

Date • Datum • Data • Fecha:

Dealer's stamp • Cachet du revendeur • Stempel van de handelaar
Händlerstempel • Timbro del rivenditore • Sello del distribuidor •
Dealerzy pieczęć:

Date • Datum • Data • Fecha:

Dealer's stamp • Cachet du revendeur • Stempel van de handelaar
Händlerstempel • Timbro del rivenditore • Sello del distribuidor •
Dealerzy pieczęć:

Date • Datum • Data • Fecha:

Dealer's stamp • Cachet du revendeur • Stempel van de handelaar
Händlerstempel • Timbro del rivenditore • Sello del distribuidor •
Dealerzy pieczęć:

Date • Datum • Data • Fecha:

Dealer's stamp • Cachet du revendeur • Stempel van de handelaar
Händlerstempel • Timbro del rivenditore • Sello del distribuidor •
Dealerzy pieczęć:

Date • Datum • Data • Fecha:

Dealer's stamp • Cachet du revendeur • Stempel van de handelaar
Händlerstempel • Timbro del rivenditore • Sello del distribuidor •
Dealerzy pieczęć:

Date • Datum • Data • Fecha:

Dealer's stamp • Cachet du revendeur • Stempel van de handelaar
Händlerstempel • Timbro del rivenditore • Sello del distribuidor •
Dealerzy pieczęć:

Date • Datum • Data • Fecha:

Dealer's stamp • Cachet du revendeur • Stempel van de handelaar
Händlerstempel • Timbro del rivenditore • Sello del distribuidor •
Dealerzy pieczęć:

Date • Datum • Data • Fecha:

- For service checklists an additional technical information, please see our specialist dealers nearest to you. More information on our website at: www.vermeiren.com.
- Les listes des contrôles à effectuer lors des entretiens de même que toute autre information technique sont disponibles auprès de nos filiales. Pour de plus amples informations, consultez le site: www.vermeiren.fr.
- Servicelijsten en andere technische informatie kunt u aanvragen bij onze vestigingen. Meer informatie vindt u ook op: www.vermeiren.be.
- Servicechecklisten und weitere technische Informationen erhalten Sie über unsere Niederlassungen. Informationen unter: www.vermeiren.de, www.vermeiren.at, www.vermeiren.ch.
- Gli elenchi di controllo di manutenzione e ulteriori informazioni tecniche sono disponibili presso le nostre filiali. Per informazioni consultare il sito: www.vermeiren.com.
- Para un servicio de revisión o información técnica adicional, por favor, consulte a nuestros distribuidores especialistas más cercanos. Más información en nuestra página web: www.vermeiren.com.
- Po dodatkowe informacje techniczne oraz listę części zamiennych proszę się kontaktować z naszym wyspecjalizowanymi dystrybutorami w pobliżu miejsca zamieszkania. Więcej informacji na naszej stronie www.vermeiren.pl.

ITALIANO

GARANZIA CONTRATTUALE

La carrozzine manuali sono garantite 5 anni, la carrozzine ultra leggera 4 anni. Le carrozzine elettroniche, tricicli, letti e altri prodotti: 2 anno contro tutti i difetti di costruzione o di materiale (batterie 6 mesi). Multiposizioni 3 anni. Questa garanzia e' limitata alle sostituzione di parti riconosciute difettose.

CONDIZIONI

Per far valere la garanzia, e' necessario indirizzarla al vostro distributore di fiducia che presentera' al produttore il tagliando.

RISERVE

Questa garanzia non potra' essere applicata nei seguenti casi:

- danno dovuto al cattivo ed improprio utilizzo della carrozzina,
- danno subito durante il trasporto,
- incidente o caduta,
- smontaggio, modifica, o riparazione effettuate in proprio,
- usura abituale della carrozzina,
- invio del tagliando di garanzia con la data di acquisto.



VERMEIREN



**GARANTÍA
GARANTIE
WARRANTY
GARANTIE
GARANZIA**

N.V. VERMEIREN N.V.
VERMEIRENPLEIN 1-15
B-2920 Kalmthout
Tel.: 00 32 (0)3 620 20 20
Fax: 00 32 (0)3 666 48 94
www.vermeiren.com

B

Naam/Nom/Name
Name/Nome

Adres/ Adresse/Address
Adresse/Indirizzo

Woonplaats/Domicile/Home
Wohnort/Citta

E-mail

Artikel/Article/Article
Artikel/Articolo

Reeks nr./N° de série/Serie nr.
Serien-Nr./No. di serie

Aankoopdatum/Date d'achat/Date of purchase
Kaufdatum/Data di acquisto

Stempel verkoper/Timbre du vendeur
Dealer stamp/Händlerstempel
Timbro del rivenditore

A

Nombre/Nom/Name
Name/Nome

Dirección/Adresse/Address
Adresse/Indirizzo

Ciudad/Domicile/Home
Wohnort/Citta

E-mail

Artículo/Article/Article
Artikel/Articolo

Núm. de serie/N° de série/Serie nr.
Serien-Nr./No. di serie

Fecha de adquisición/Date d'achat/Date of purchase
Kaufdatum/Data di acquisto

Sello del distribuidor /Timbre du vendeur
Dealer stamp/Händlerstempel
Timbro del rivenditore

ESPAÑOL

CONTRATO DE GARANTÍA

Garantía de 5 años para sillas de ruedas estándar. Garantía de 4 años para las sillas de ruedas ligeras. Garantía de 2 años para las sillas de ruedas eléctricas, triciclos, camisas y otros productos. (las baterías tienen una garantía de 6 meses). Garantía de 3 años para las sillas de ruedas multi-posición. Esta garantía se limita a la sustitución de las piezas defectuosas o recambios.

CONDICIONES DE APLICACIÓN

Para reclamar esta garantía, debe de entregar a su distribuidor oficial de Vermeiren el apartado "B" de esta tarjeta. La garantía sólo es válida cuando las piezas son sustituidas por Vermeiren Bélgica.

EXCEPCIONES

Esta garantía no es válida en caso de:

- Daños debidos a un uso incorrecto de la silla de ruedas.
- Daños durante el transporte.
- Involucración en un accidente.
- Desmontaje, modificación o reparación que no haya sido realizada por nuestra compañía y / o distribuidor oficial de Vermeiren.
- Desgaste normal de la silla de ruedas.
- Que no se entregue la tarjeta de garantía

FRANCAIS

GARANTIE CONTRACTUELLE

Les fauteuils manuels standard sont garantis 5 ans, les fauteuils ultra légers 4 ans. Les fauteuils électroniques, tricycloès, lits et d autres produits: 2 ans contre tous vices de construction ou de matériaux (batteries 6 mois).

Cette garantie est expressément limitée au remplacement des éléments ou pièces détachées reconnues défectueuses.

CONDITIONS D'APPLICATION

Pour prétendre à cette garantie, il faut présenter le certificat de garantie que vous avez conservé à votre distributeur Vermeiren. La garantie est uniquement valable au siège de la société.

RESERVES

Cette garantie ne pourra être appliquée en cas de:

- dommage dû à la mauvaise utilisation du fauteuil,
- endommagement pendant le transport,
- accident ou chute,
- démontage, modification ou réparation fait en dehors de notre société,
- usure normale du fauteuil,
- non retour du coupon de garantie.

ENGLISH

CONTRACTUAL WARRANTY

We offer 5 years of warranty on standard wheelchairs, lightweight wheelchairs 4 years. Electronic wheelchairs, tricycles and other products: 2 years (batteries 6 months) and multipoosition wheelchairs 3 years. This warranty is limited to the replacement of defective or spare parts.

APPLICATION CONDITIONS

In order to claim its warranty, part "B" of this card has to be given to your official Vermeiren dealer. The warranty is only valid when parts are replaced by Vermeiren in Belgium.

EXCEPTIONS

This warranty is not valid in case of:

- damage due to incorrect usage of the wheelchair,
- damage during transport,
- involvement in an accident,
- a dismount, modification or repair carried outside of our company and/or official Vermeiren dealership,
- normal wear of the wheelchair,
- non-return of the warranty card

DEUTSCH

GARANTIEERKLÄRUNG

Wir garantieren, dass für unsere Rollstühle hochwertige Produkte verwendet werden, die in sorgfältiger Verarbeitung nach dem neuesten Stand der Technik montiert werden. Bevor Ihr Rollstuhl unser Werk verlassen hat, wurde er einer eingehenden Endkontrolle unterzogen, um auch letzte, eventuell vorhandene Mängel aufzuspüren.

Auf Standardrollstühle gewähren wir eine Garantie von 5 Jahren, auf Leichtgewichtrollstühle 4 Jahre, auf elektronische Rollstühle, Dreiräder, Betten und andere Produkte: 2 Jahre (Batterien 6 Monate), auf Multifunktionsrollstühle 3 Jahre.

In dieser Garantie eingeschlossen sind alle Mängel, die auf einen Produkt- oder Verarbeitungsfehler zurückzuführen sind. Dieser Garantie unterliegen keine Schäden aus unsachgemäßem Benutzungs. Ebenfalls sind Verschleißteile von der Garantie ausgenommen.

Sollte einmal der Fall eingetreten sein, dass Sie aus berechtigtem Grunde mit Ihrem Rollstuhl unzufrieden sind, so wenden Sie sich bitte unverzüglich an Ihren Fachhändler. Er wird sich in enger Zusammenarbeit mit uns darum bemühen, eine für Sie zufriedenstellende Lösung zu finden.

A

- Por favor entéguelo en el plazo de 8 días a partir de la fecha de compra o registre su producto en nuestra página web, <http://www.vermeiren.be/registration>

- à renvoyer dans les 8 jours après achat ou régistrez votre produit sur notre site, <http://www.vermeiren.be/registration>

- please return within 8 days of date of purchase or register your product at our website, <http://www.vermeiren.be/registration>

- zurückschicken innerhalb von 8 Tagen nach kauf oder registrieren Sie Ihr Produkt auf unserer website, <http://www.vermeiren.be/registration>

- da restituire entro 8 giorni dalla data di acquisto o registri il vostro prodotto al nostro web site, <http://www.vermeiren.be/registration>

B

- en caso de reparación, por favor, añada el apartado "B".
- en cas de réparation, veuillez ajouter la carte "B".
- in case of repair, please add part "B".
- im Falle einer Reparatur, Karte "B" beifügen
- in case di riparazione, rispediteci la carta "B".

N.V. VERMEIREN N.V.
Vermeirenplein 1/15
B-2920 Kalmarhout
BELGIUM



Belgium

N.V. Vermeiren N.V.

Vermeirenplein 1 / 15
B-2920 Kalmthout
Tel: +32(0)3 620 20 20
Fax: +32(0)3 666 48 94
website: www.vermeiren.be
e-mail: info@vermeiren.be

France

Vermeiren France S.A.

Z. I., 5, Rue d'Ennevelin
F-59710 Avelin
Tel: +33(0)3 28 55 07 98
Fax: +33(0)3 20 90 28 89
website: www.vermeiren.fr
e-mail: info@vermeiren.fr

Italy

Vermeiren Italia

Viale delle Industrie 5
I-20020 Arese MI
Tel: +39 02 99 77 07
Fax: +39 02 93 58 56 17
website: www.reatime.it
e-mail: info@reatime.it

Poland

Vermeiren Polska Sp. z o.o

ul. Łączna 1
PL-55-100 Trzebnica
Tel: +48(0)71 387 42 00
Fax: +48(0)71 387 05 74
website: www.vermeiren.pl
e-mail: info@vermeiren.pl

Czech Republic

Vermeiren ČR S.R.O.

Nadrazni 132
702 00 Ostrava 1
Tel: +420 596 133 923
Fax: +420 596 133 277
website: www.vermeiren.cz
e-mail: info@vermeiren.cz

Germany

Vermeiren Deutschland GmbH

Wahlerstraße 12 a
D-40472 Düsseldorf
Tel: +49(0)211 94 27 90
Fax: +49(0)211 65 36 00
website: www.vermeiren.de
e-mail: info@vermeiren.de

Austria

L. Vermeiren Ges. mbH

Winetzhammerstraße 10
A-4030 Linz
Tel: +43(0)732 37 13 66
Fax: +43(0)732 37 13 69
website: www.vermeiren.at
e-mail: info@vermeiren.at

Switzerland

Vermeiren Suisse S.A.

Hühnerhubelstraße 59
CH-3123 Belp
Tel: +41(0)31 818 40 95
Fax: +41(0)31 818 40 98
website: www.vermeiren.ch
e-mail: info@vermeiren.ch

Spain / Portugal

Vermeiren Iberica, S.L.

Carratera de Cartellà, Km 0,5
Sant Gregori Parc Industrial Edifici A
17150 Sant Gregori (Girona)
Tel: +34 972 42 84 33
Fax: +34 972 40 50 54
website: www.vermeiren.es
e-mail: info@vermeiren.es